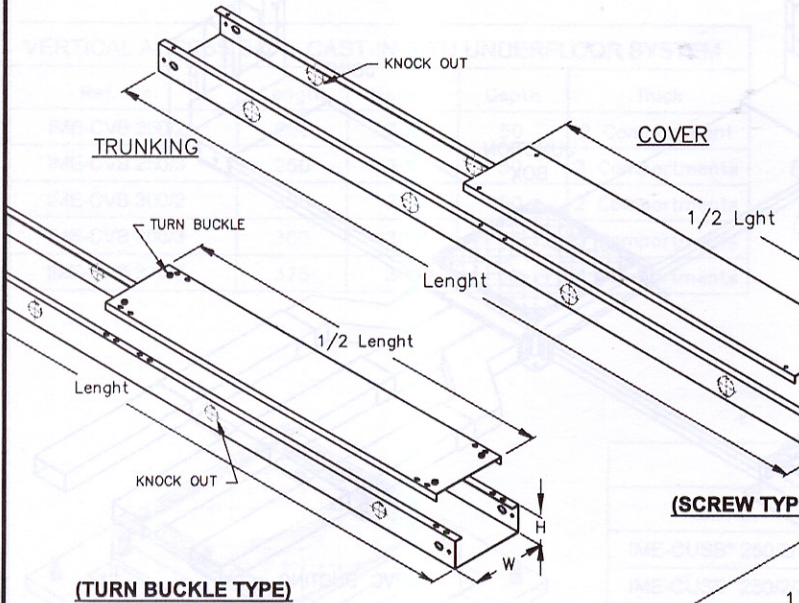


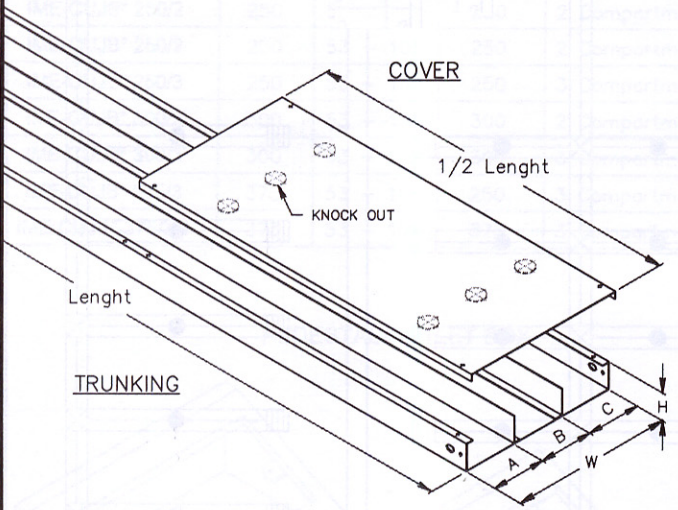
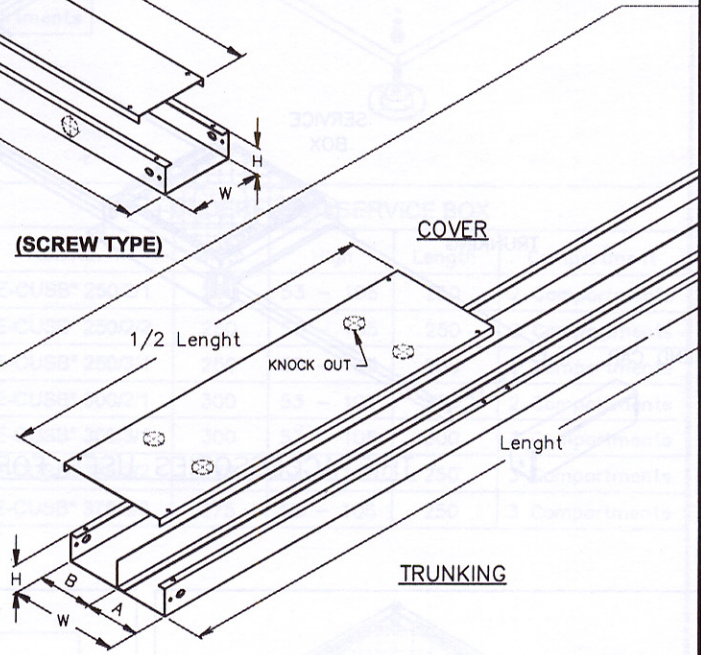
FLOOR DISTRIBUTION SYSTEM

RAISED FLOOR SYSTEM



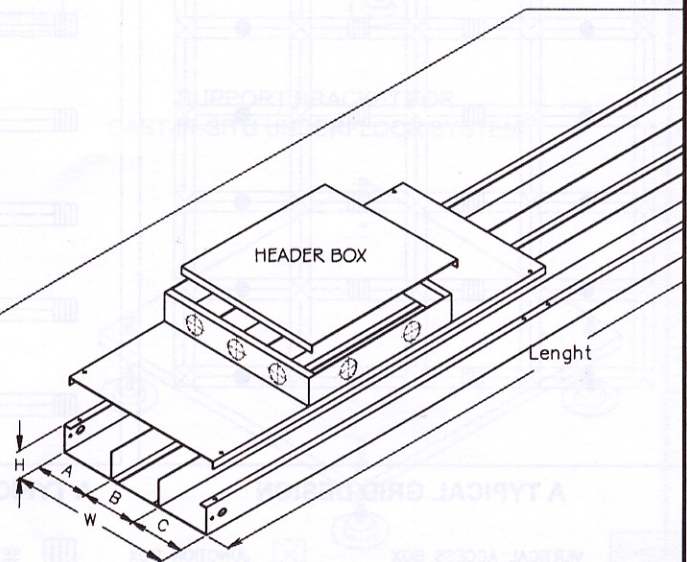
STRAIGHT TRUNKING - 1 COMPARTMENT					
Ref. No.	Width	Height	Compartment Size		
			A	B	C
IME-RMT 75/1	75	38-75	75	-	-
IME-RMT 100/1	100	38-75	100	-	-
IME-RMT 150/1	150	38-75	150	-	-

STRAIGHT TRUNKING - 2 COMPARTMENTS					
Ref. No.	Width	Height	Compartment Size		
			A	B	C
IME-RMT 150/2	150	38-75	75	75	-
IME-RMT 200/2	200	38-75	100	100	-
IME-RMT 300/2	300	38-75	150	150	-



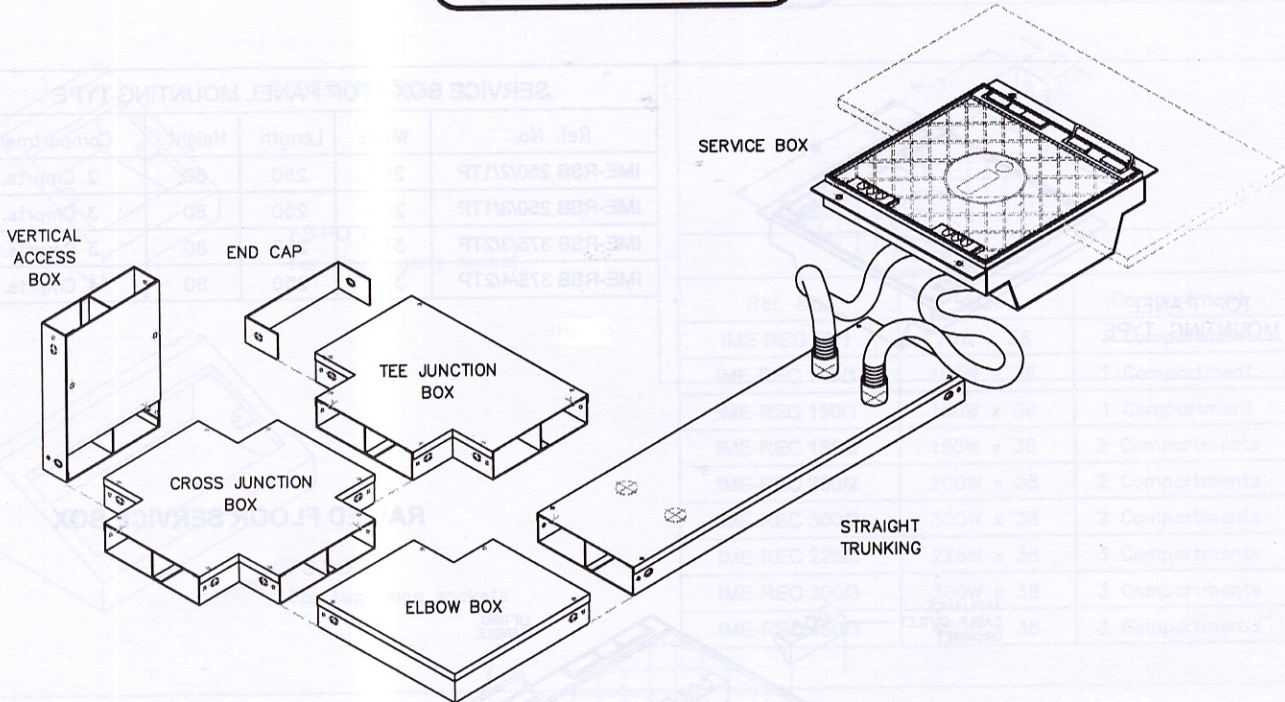
STRAIGHT TRUNKING - 3 COMPARTMENTS					
Ref. No.	Width	Height	Compartment Size		
			A	B	C
IME-RMT 225/3	225	38-75	75	75	75
IME-RMT 300/3	300	38-75	100	100	100
IME-RMT 450/3	450	38-75	150	150	150

STRAIGHT TRUNKING - HEADER BOX					
Ref. No.	Width	Height	Compartment Size		
			A	B	C
IME-RHB 150/2(3)	150	38-75	75	75	75
IME-RHB 200/2(3)	200	38-75	100	100	100
IME-RHB 300/2(3)	300	38-75	150	150	150

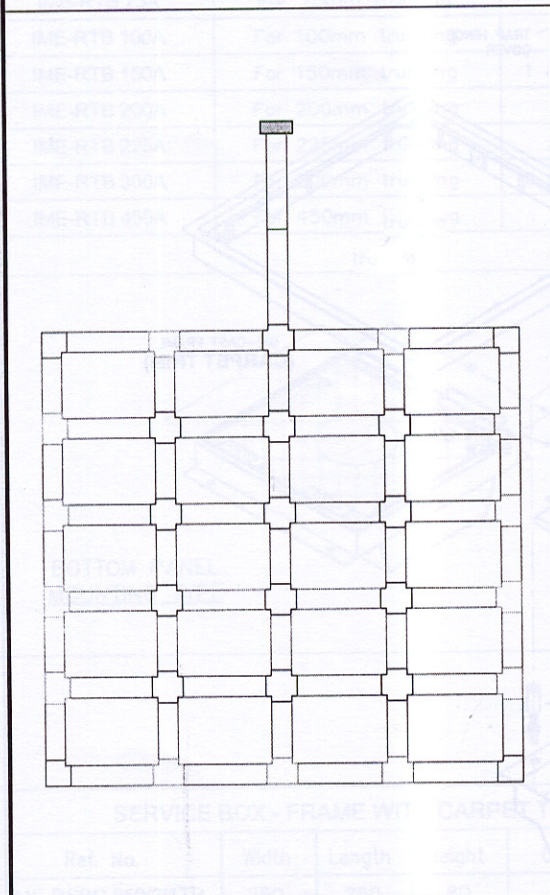


FLOOR DISTRIBUTION SYSTEM

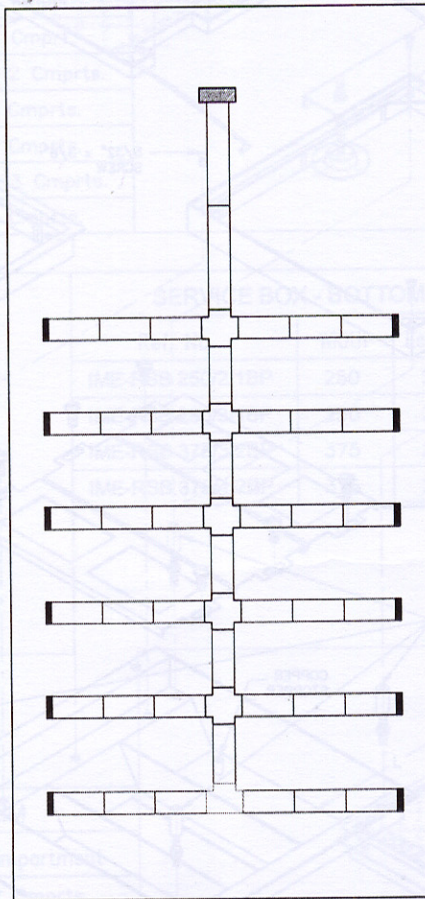
LAYOUT & DESIGN



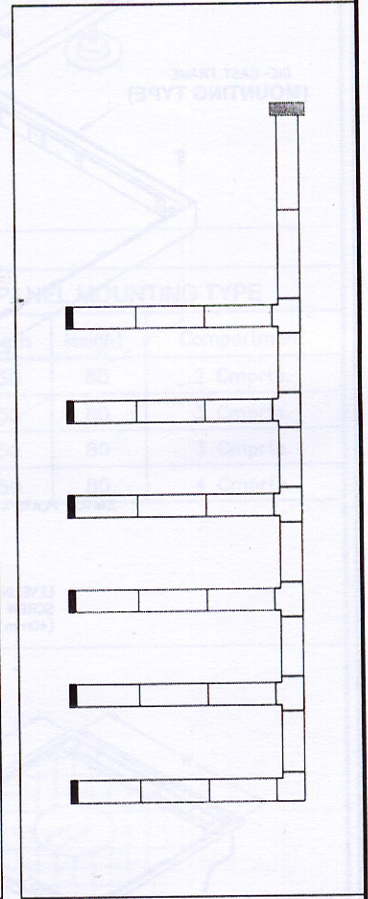
THIS ACCESSORIES USED FOR RAISED FLOOR SYSTEMS




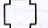


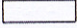
A TYPICAL GRID DESIGN



A TYPICAL FISHBONE DESIGN



A TYPICAL COMB DESIGN

 VERTICAL ACCESS BOX
  CROSS JUNCTION BOX
  TEE JUNCTION BOX
  ELBOW BOX
  STRAIGHT TRUNKING