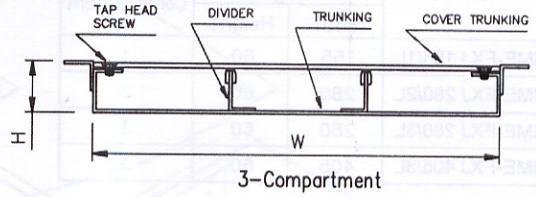
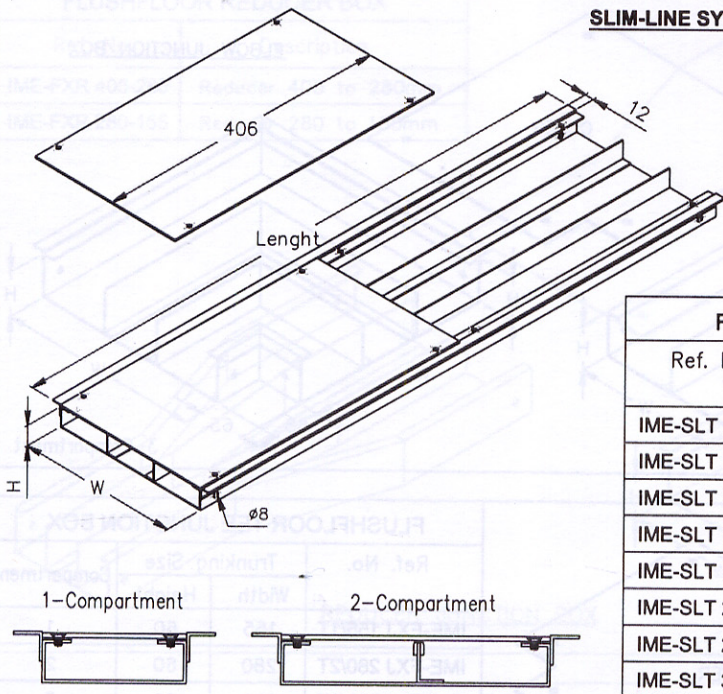


FLOOR DISTRIBUTION SYSTEM

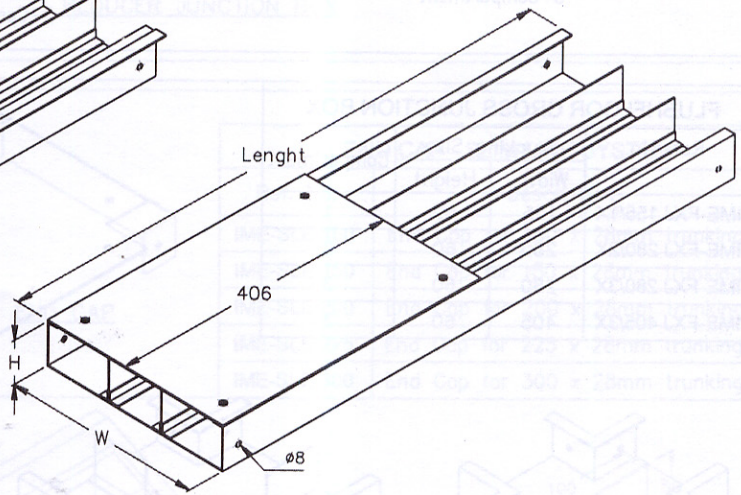
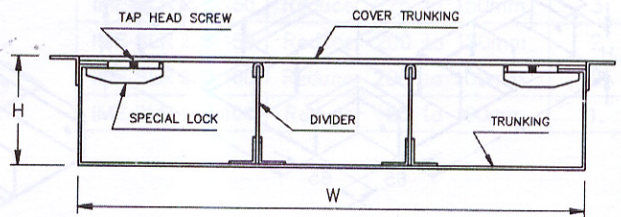
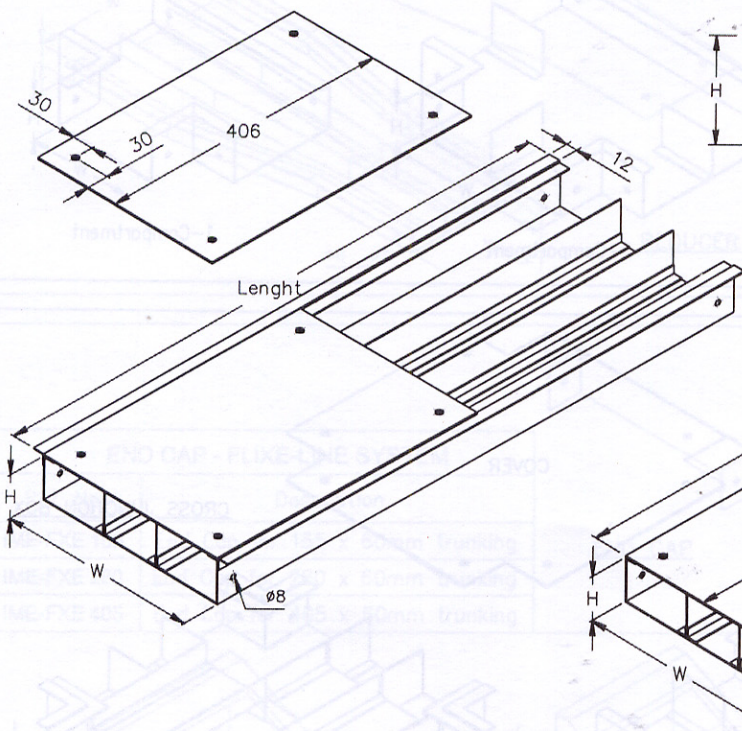
FLUSHFLOOR SYSTEM

SLIM-LINE SYSTEM

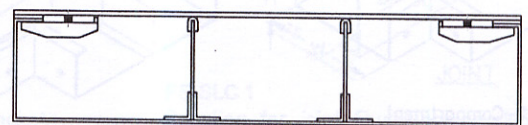


FLUSHFLOOR TRUNKING - SLIM-LINE SYSTEM						
Ref. No.	Trunking Size		Compartment	Compartment Size		
	Width	Height		A	B	C
IME-SLT 100/1	100	28	1	100		
IME-SLT 100/2	100	28	2	50	50	
IME-SLT 150/1	150	28	1	100		
IME-SLT 150/2	150	28	2	75	75	
IME-SLT 150/3	150	28	3	50	50	50
IME-SLT 200/2	200	28	2	100	100	
IME-SLT 225/3	225	28	3	75	75	75
IME-SLT 300/3	300	28	3	100	100	100

FLEXI-LINE SYSTEM

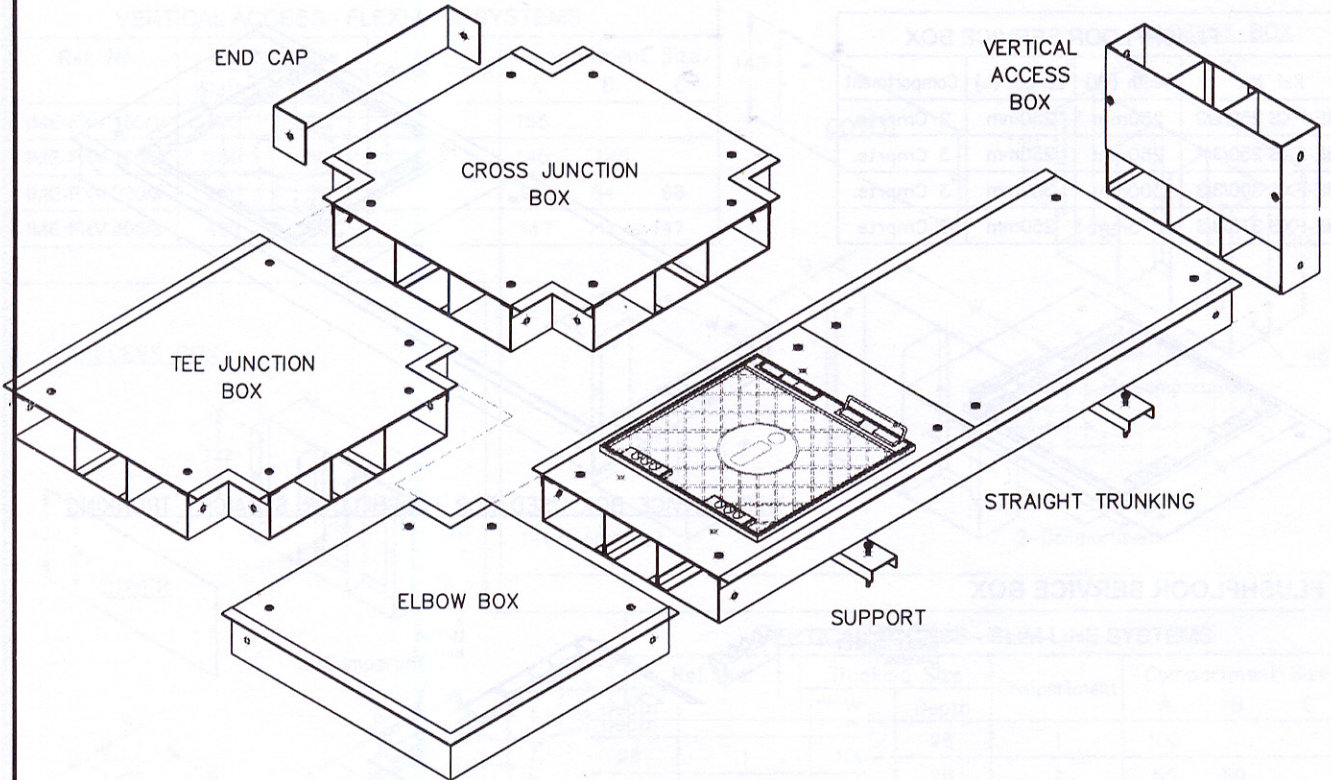


FLUSHFLOOR TRUNKING - FLEXI-LINE SYSTEM						
Ref. No.	Trunking Size		Compartment	Compartment Size		
	Width	Height		A	B	C
IME-FXT 280/3	280	60	3	98	84	98
IME-FXT 405/3	405	60	3	147	111	147

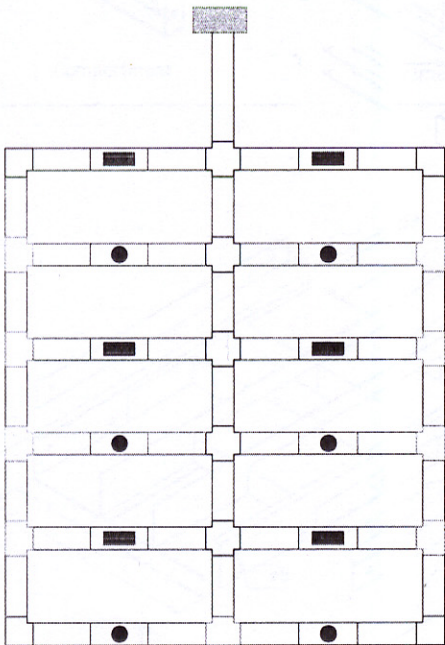


FLOOR DISTRIBUTION SYSTEM

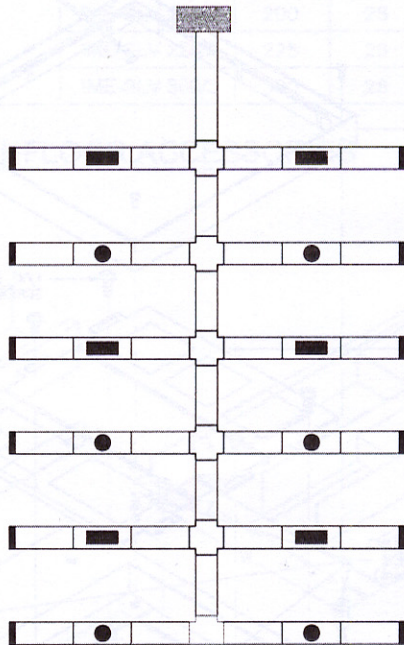
LAYOUT & DESIGN



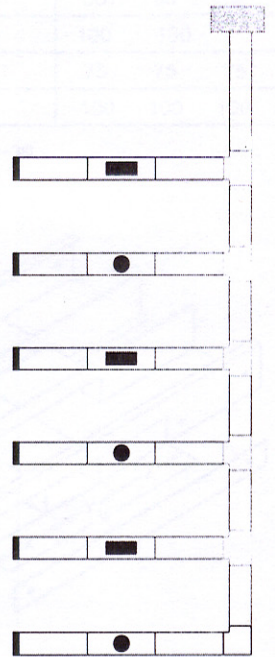
THIS ACCESSORIES USED FOR FLUSHFLOOR SYSTEMS



A TYPICAL GRID DESIGN



A TYPICAL FISHBONE DESIGN



A TYPICAL COMB DESIGN

