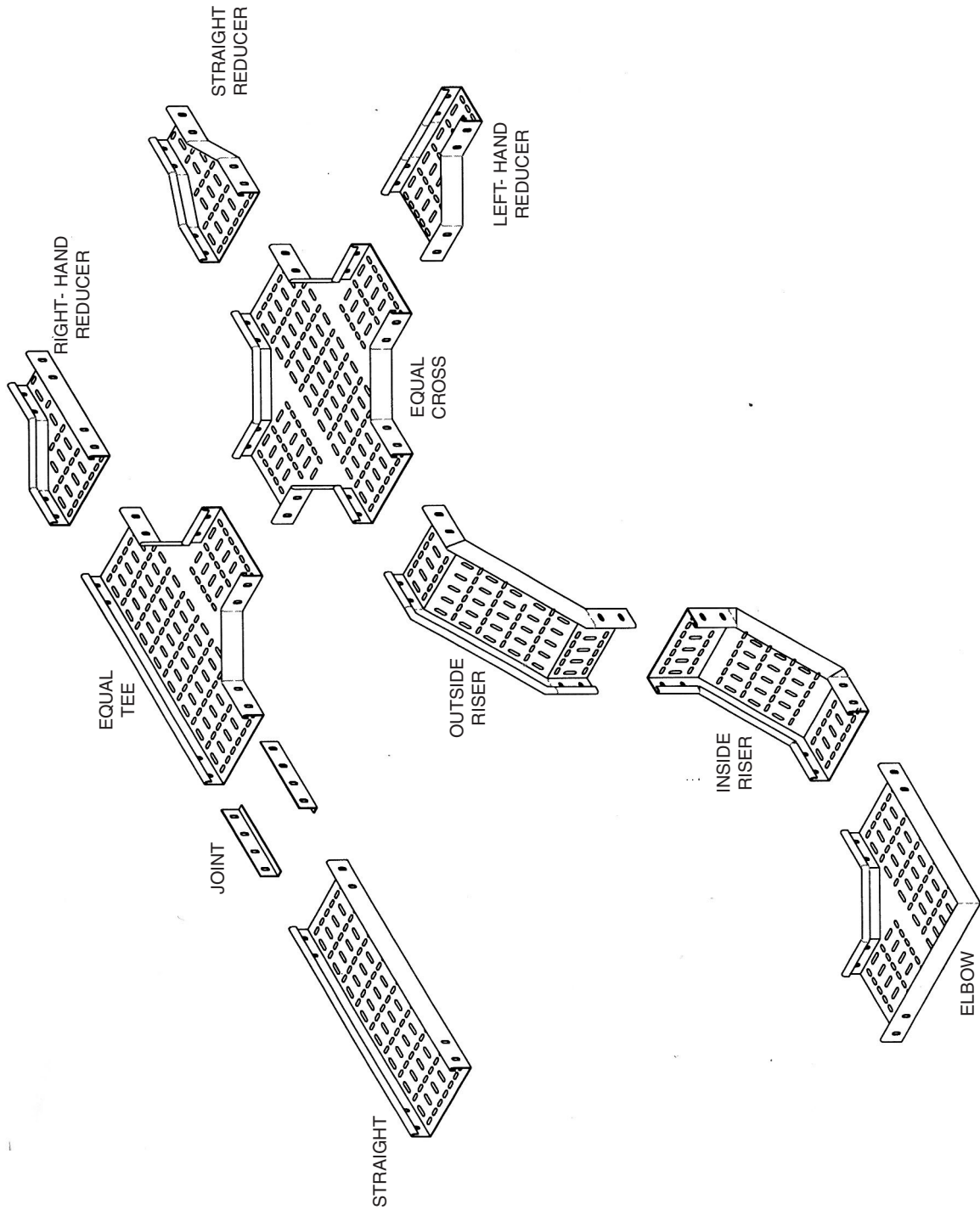


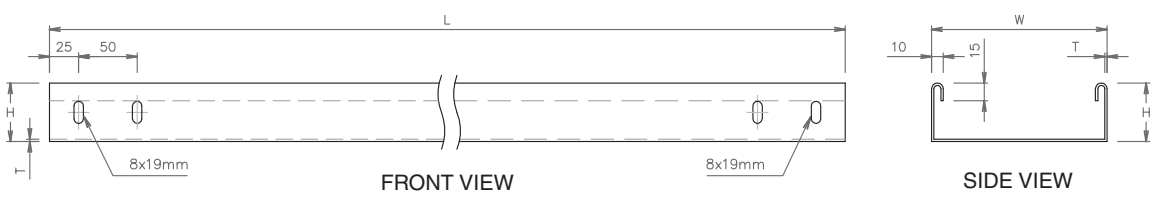
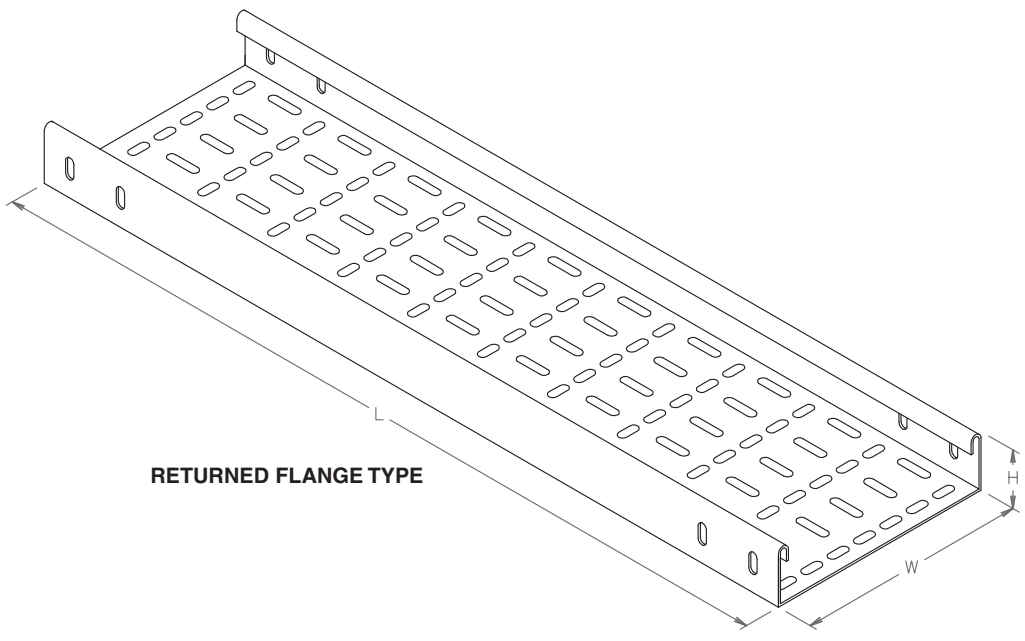
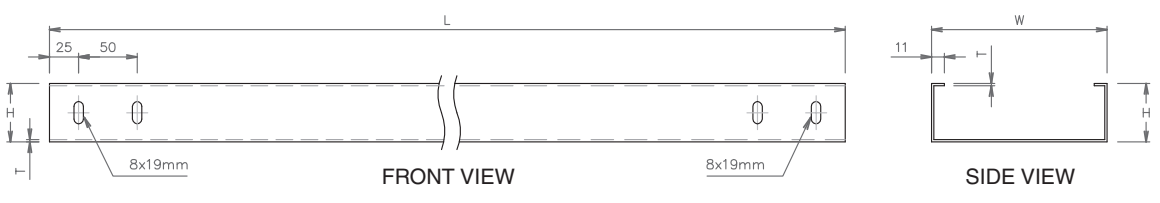
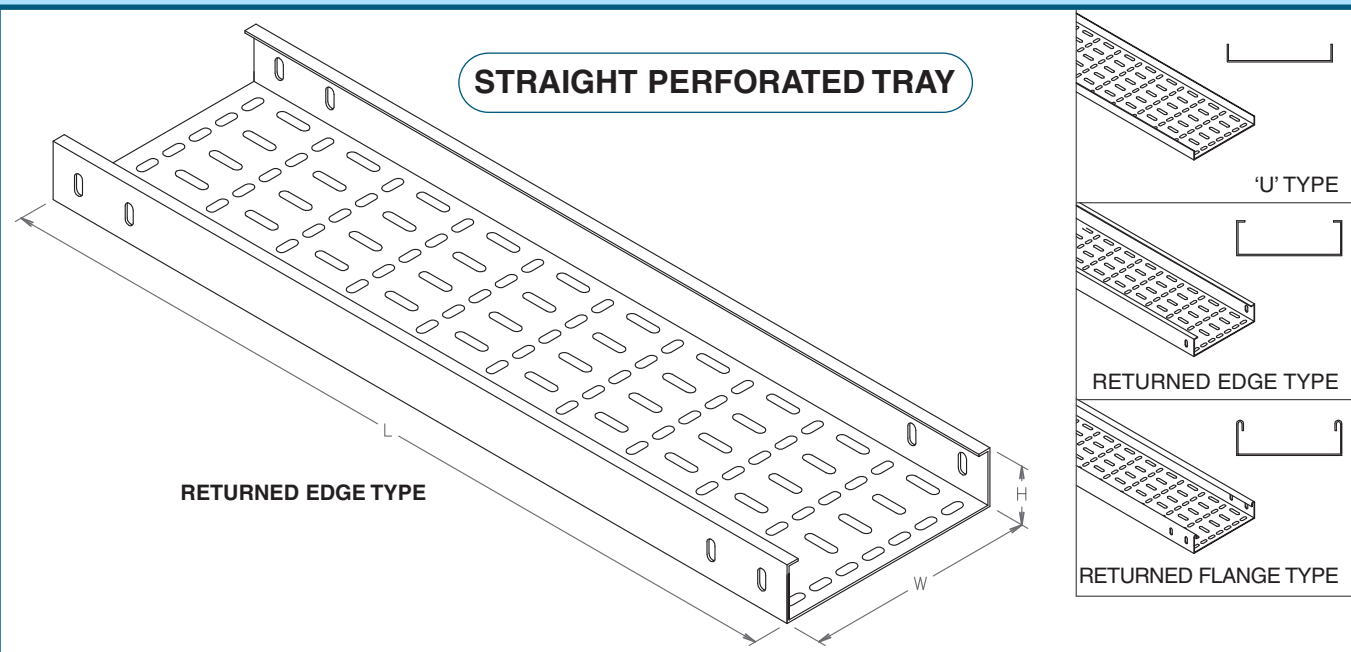
CABLE TRAY & COMPONENTS ASSEMBLY GUIDE



In the interest of continuous improvements, IME reserves the right without prior notice to alter the design and specifications of their products.

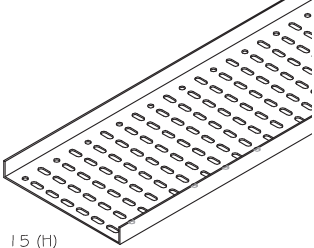
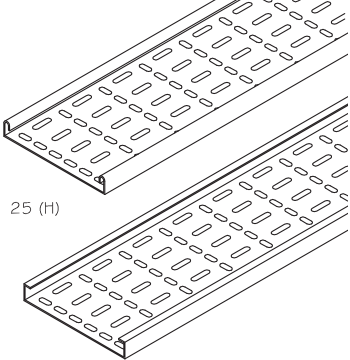
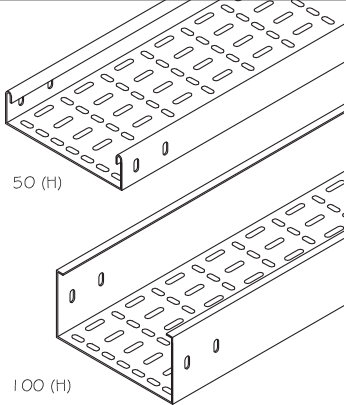
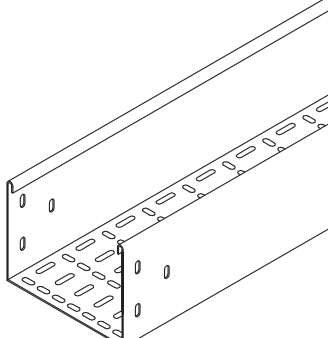
CABLE TRAY & ACCESSORIES

STRAIGHT PERFORATED TRAY



NOTE: Other sizes are available upon request

STRAIGHT CABLE TRAY STANDARD LIST

ITEM NO	SIZE				FINISHING	REMARKS
	WIDTH (W)	HEIGHT (H)	LENGTH (L)	THICKNESS (T)		
iPTSU15.50	50	15	2440 3000	1.0	Hot-Dipped Galvanizing (BS:EN:ISO1461 (1999), BS 729) Epoxy Powder Coated HDG + Epoxy Powder Coated Stainless Steel 304 Stainless Steel 316 Aluminium AA 1100 & Others	 15 (H)
iPTSU15.75	75	15		1.2		
iPTSU15.100	100	15		1.5		
iPTSU15.150	150	15		2.0		
iPTSU15.200	200	15				
iPTSU15.250	250	15				
iPTSU15.300	300	15				
iPTSU15.450	450	15				
iPTSU15.500	500	15				
iPTSU15.600	600	15				
iPTR25.50	50	25	2440 3000	1.0	Hot-Dipped Galvanizing (BS:EN:ISO1461 (1999), BS 729) Epoxy Powder Coated HDG + Epoxy Powder Coated Stainless Steel 304 Stainless Steel 316 Aluminium AA 1100 & Others	 25 (H)
iPTR25.75	75	25		1.2		
iPTR25.100	100	25		1.5		
iPTR25.150	150	25		2.0		
iPTR25.200	200	25				
iPTR25.250	250	25				
iPTR25.300	300	25				
iPTR25.450	450	25				
iPTR25.500	500	25				
iPTR25.600	600	25				
iPTR25.750	750	25				
iPTR25.800	800	25				
iPTR25.900	900	25				
iPTR50.50	50	50	2440 3000	1.0	Hot-Dipped Galvanizing (BS:EN:ISO1461 (1999), BS 729) Epoxy Powder Coated HDG + Epoxy Powder Coated Stainless Steel 304 Stainless Steel 316 Aluminium AA 1100 & Others	 50 (H)
iPTR50.75	75	50		1.2		
iPTR50/100.100	100	50/100		1.5		
iPTR50/100.150	150	50/100		2.0		
iPTR50/100.200	200	50/100				
iPTR50/100.250	250	50/100				
iPTR50/100.300	300	50/100				
iPTR50/100.450	450	50/100				
iPTR50/100.500	500	50/100				
iPTR50/100.600	600	50/100				
iPTR50/100.750	750	50/100				
iPTR50/100.800	800	50/100				
iPTR50/100.900	900	50/100				
iPTR50/100.1000	1000	50/100				
iPTR125.125	125	125	2440 3000	1.5	Hot-Dipped Galvanizing (BS:EN:ISO1461 (1999), BS 729) Epoxy Powder Coated HDG + Epoxy Powder Coated Stainless Steel 304 Stainless Steel 316 Aluminium AA 1100 & Others	 125 (H)
iPTR125/150.50	150	125/150		2.0		
iPTR125/150.50	200	125/150		2.5		
iPTR125/150.50	250	125/150		3.0		
iPTR125/150.50	300	125/150				
iPTR125/150.50	450	125/150				
iPTR125/150.50	500	125/150				
iPTR125/150.50	600	125/150				
iPTR125/150.50	750	125/150				
iPTR125/150.50	800	125/150				
iPTR125/150.50	900	125/150				
iPTR125/150.50	1000	125/150				

NOTE: Other sizes are available upon request

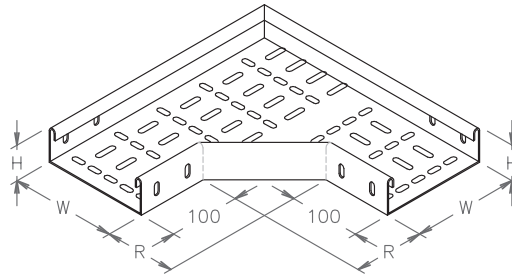
•All units in mm

PT - PERFORATED TRAY
S - STRAIGHT
R - RETURNED (EDGE / FLANGE)
U - 'U' TYPE

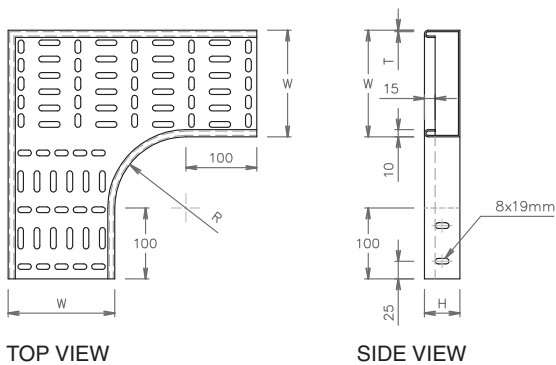
EXAMPLE
iPTR25-50
IME-PERFORATED TRAY STRAIGHT
RETURNED (EDGE / FLANGE)
25 (H) X 50 (W)

MATERIALS
1 Electro-galvanized steel to BS 1449 Part 1 : 1983
2 Pre-Galvanized Steel
3 Stainless Steel AISI 304, 316 or 316L
4 Hot / Cold-Rolled Steel
5 Aluminium AA1100

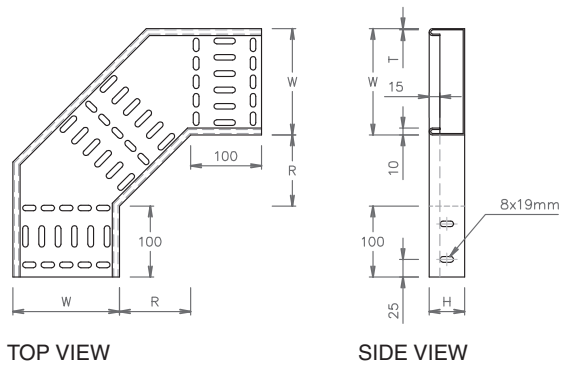
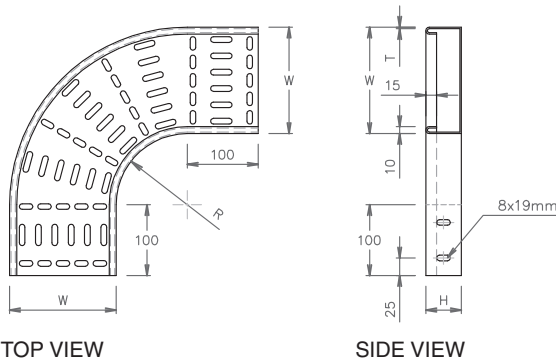
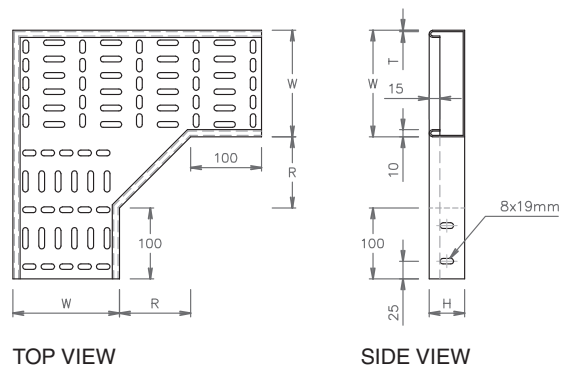
90 DEG. HORIZONTAL FLAT BEND (ELBOW)



90 DEG. HORIZONTAL FLAT BEND WITH CURVE RADIUS (R)

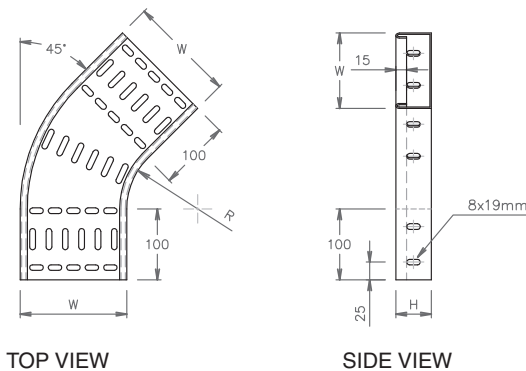


90 DEG. HORIZONTAL WITH STRAIGHT RADIUS (R)

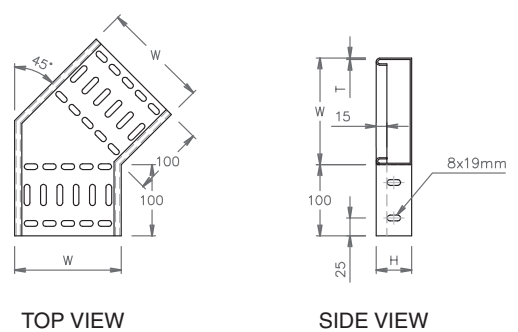


45 DEG. HORIZONTAL BEND

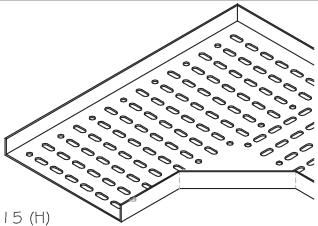
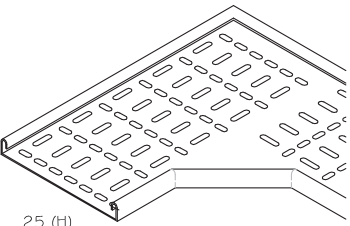
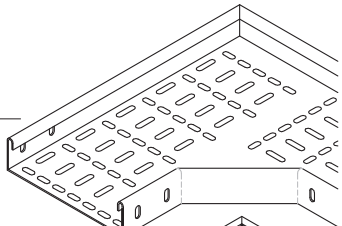
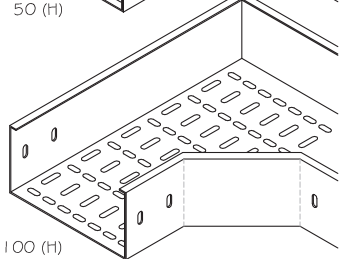
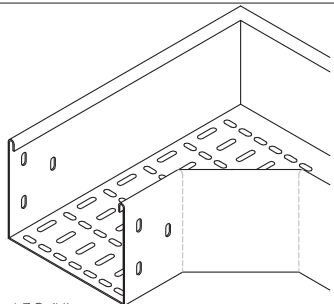
45 DEG. HORIZONTAL FLAT BEND WITH CURVE RADIUS (R)



45 DEG. HORIZONTAL WITH STRAIGHT RADIUS (R)



BEND CABLE TRAY STANDARD LIST

ITEM NO	SIZE				FINISHING	REMARKS
	WIDTH (W)	HEIGHT (H)	RADIUS (R)	THICKNESS (T)		
iptbu15.50	50	15	50	1.0	Hot-Dipped Galvanizing (BS:EN:ISO1461 (1999), BS 729) Epoxy Powder Coated HDG + Epoxy Powder Coated Stainless Steel 304 Stainless Steel 316 Aluminium AA 1100 & Others	 15 (H)
iptbu15.75	75	15				
iptbu15.100	100	15				
iptbu15.150	150	15				
iptbu15.200	200	15				
iptbu15.250	250	15				
iptbu15.300	300	15				
iptbu15.450	450	15				
iptbu15.500	500	15	50	1.0	Hot-Dipped Galvanizing (BS:EN:ISO1461 (1999), BS 729) Epoxy Powder Coated HDG + Epoxy Powder Coated Stainless Steel 304 Stainless Steel 316 Aluminium AA 1100 & Others	 25 (H)
iptbr25.50R	50	25				
iptbr25.75R	75	25				
iptbr25.100R	100	25				
iptbr25.150R	150	25				
iptbr25.200R	200	25				
iptbr25.250R	250	25				
iptbr25.300R	300	25				
iptbr25.450R	450	25	100	1.0	Hot-Dipped Galvanizing (BS:EN:ISO1461 (1999), BS 729) Epoxy Powder Coated HDG + Epoxy Powder Coated Stainless Steel 304 Stainless Steel 316 Aluminium AA 1100 & Others	 50 (H)
iptbr25.500R	500	25				
iptbr25.600R	600	25				
iptbr25.750R	750	25				
iptbr25.800R	800	25				
iptbr25.900R	900	25				
iptbr25.900R	900	25				
iptbr25.900R	900	25				
iptbr50.50R	50	50	100	1.0	Hot-Dipped Galvanizing (BS:EN:ISO1461 (1999), BS 729) Epoxy Powder Coated HDG + Epoxy Powder Coated Stainless Steel 304 Stainless Steel 316 Aluminium AA 1100 & Others	 100 (H)
iptbr50.75R	75	50				
iptbr50/100.100R	100	50/100				
iptbr50/100.150R	150	50/100				
iptbr50/100.200R	200	50/100				
iptbr50/100.250R	250	50/100				
iptbr50/100.300R	300	50/100				
iptbr50/100.450R	450	50/100				
iptbr50/100.500R	500	50/100				
iptbr50/100.600R	600	50/100				
iptbr50/100.750R	750	50/100				
iptbr50/100.800R	800	50/100				
iptbr50/100.900R	900	50/100	200	1.5	Hot-Dipped Galvanizing (BS:EN:ISO1461 (1999), BS 729) Epoxy Powder Coated HDG + Epoxy Powder Coated Stainless Steel 304 Stainless Steel 316 Aluminium AA 1100 & Others	 150 (H)
iptbr125.125R	125	125				
iptbr125/150.150R	150	125/150				
iptbr125/150.200R	200	125/150				
iptbr125/150.250R	250	125/150				
iptbr125/150.300R	300	125/150				
iptbr125/150.450R	450	125/150				
iptbr125/150.500R	500	125/150				
iptbr125/150.600R	600	125/150				
iptbr125/150.750R	750	125/150				
iptbr125/150.800R	800	125/150				
iptbr125/150.900R	900	125/150				
iptbr125/150.1000R	1000	125/150				

NOTE: Other sizes are available upon request

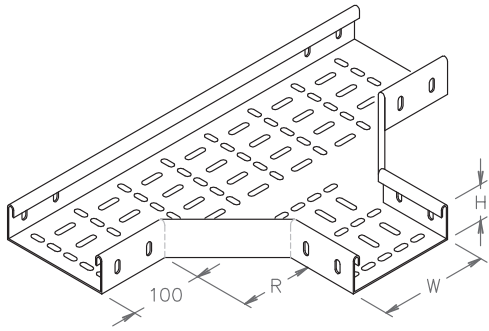
•All units in mm

PT- PERFORATED TRAY
B - BEND
R - RETURNED (EDGE / FLANGE)
U - 'U' TYPE
R - RADIUS

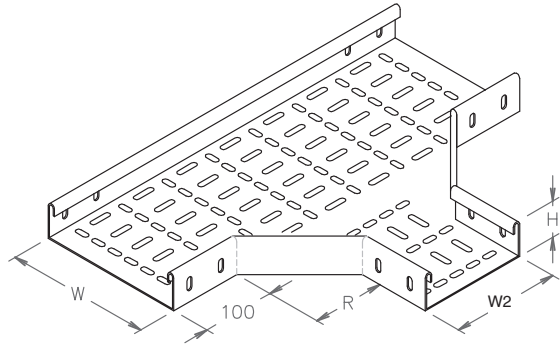
EXAMPLE
iptbr50-150R
IME-PERFORATED TRAY BEND
RETURNED (EDGE / FLANGE)
50/100 (H) X 150 (W) WITH RADIUS

MATERIALS
1 Electro-galvanized steel to BS 1449 Part 1 : 1983
2 Pre-Galvanized Steel
3 Stainless Steel AISI 304, 316 or 316L
4 Hot / Cold-Rolled Steel
5 Aluminium AA1100

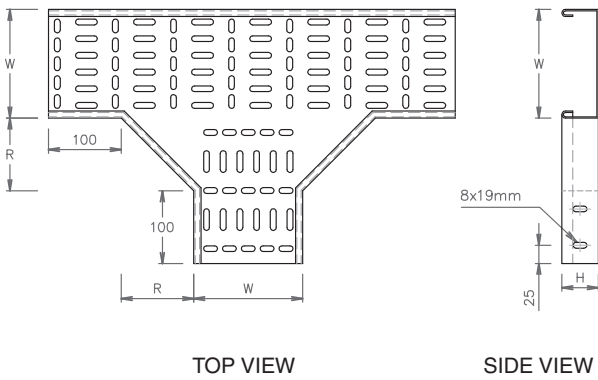
HORIZONTAL EQUAL TEE TYPE



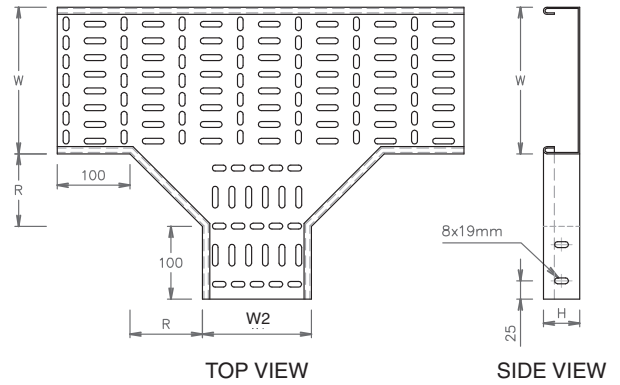
HORIZONTAL UNEQUAL TEE TYPE



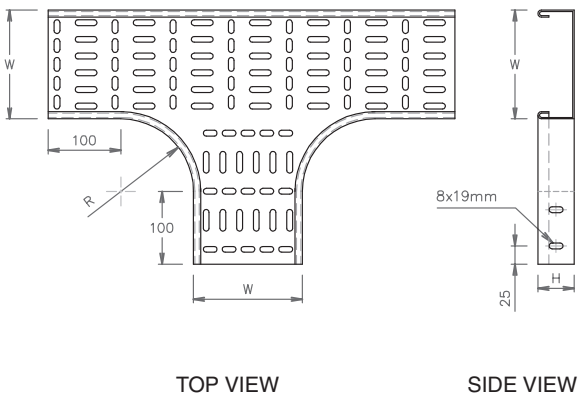
HORIZONTAL EQUAL TEE RETURNED FLANGE WITH STRAIGHT RADIUS



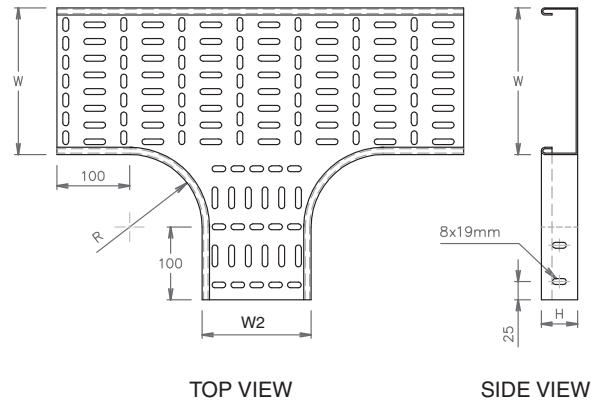
HORIZONTAL UNEQUAL TEE RETURNED FLANGE WITH STRAIGHT RADIUS



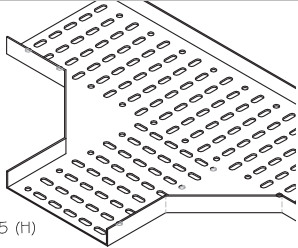
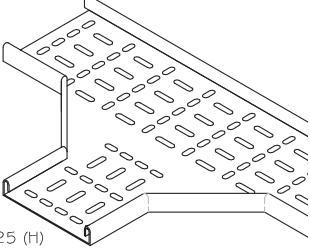
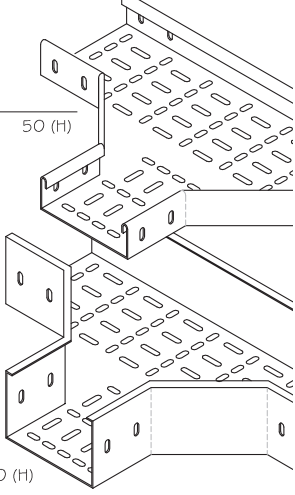
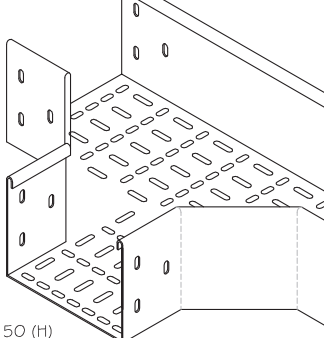
HORIZONTAL EQUAL TEE RETURNED FLANGE WITH CURVE RADIUS



HORIZONTAL UNEQUAL TEE RETURNED FLANGE WITH CURVE RADIUS



TEE CABLE TRAY STANDARD LIST

ITEM NO	SIZE				FINISHING	REMARKS
	WIDTH (W)	HEIGHT (H)	RADIUS (R)	THICKNESS (T)		
IPTTU15.50	50	15	50	1.0	Hot-Dipped Galvanizing (BS:EN:ISO1461 (1999), BS 729) Epoxy Powder Coated HDG + Epoxy Powder Coated Stainless Steel 304 Stainless Steel 316 Aluminium AA 1100 & Others	 15 (H)
IPTTU15.75	75	15				
IPTTU15.100	100	15				
IPTTU15.150	150	15				
IPTTU15.200	200	15				
IPTTU15.250	250	15				
IPTTU15.300	300	15				
IPTTU15.450	450	15				
IPTTU15.500	500	15				
IPTTU15.600	600	15				
IPTRR25.50.R	50	25	50	1.0	Hot-Dipped Galvanizing (BS:EN:ISO1461 (1999), BS 729) Epoxy Powder Coated HDG + Epoxy Powder Coated Stainless Steel 304 Stainless Steel 316 Aluminium AA 1100 & Others	 25 (H)
IPTRR25.75.R	75	25				
IPTRR25.100.R	100	25				
IPTRR25.150.R	150	25				
IPTRR25.200.R	200	25				
IPTRR25.250.R	250	25				
IPTRR25.300.R	300	25				
IPTRR25.450.R	450	25				
IPTRR25.500.R	500	25				
IPTRR25.600.R	600	25				
IPTRR25.750.R	750	25				
IPTRR25.800.R	800	25				
IPTRR25.900.R	900	25				
IPTRR50.50.R	50	50	100	1.0	Hot-Dipped Galvanizing (BS:EN:ISO1461 (1999), BS 729) Epoxy Powder Coated HDG + Epoxy Powder Coated Stainless Steel 304 Stainless Steel 316 Aluminium AA 1100 & Others	 50 (H)
IPTRR50.75.R	75	50				
IPTRR50/100.100.R	100	50/100				
IPTRR50/100.150.R	150	50/100				
IPTRR50/100.200.R	200	50/100				
IPTRR50/100.250.R	250	50/100				
IPTRR50/100.300.R	300	50/100				
IPTRR50/100.450.R	450	50/100				
IPTRR50/100.500.R	500	50/100				
IPTRR50/100.600.R	600	50/100				
IPTRR50/100.750.R	750	50/100				
IPTRR50/100.800.R	800	50/100				
IPTRR50/100.900.R	900	50/100				
IPTRR50/100.1000.R	1000	50/100				
IPTRR125.125.R	125	125	200	1.5	Hot-Dipped Galvanizing (BS:EN:ISO1461 (1999), BS 729) Epoxy Powder Coated HDG + Epoxy Powder Coated Stainless Steel 304 Stainless Steel 316 Aluminium AA 1100 & Others	 125 (H)
IPTRR125/150.150.R	150	125/150				
IPTRR125/150.200.R	200	125/150				
IPTRR125/150.250.R	250	125/150				
IPTRR125/150.300.R	300	125/150				
IPTRR125/150.450.R	450	125/150				
IPTRR125/150.500.R	500	125/150				
IPTRR125/150.600.R	600	125/150				
IPTRR125/150.750.R	750	125/150				
IPTRR125/150.800.R	800	125/150				
IPTRR125/150.900.R	900	125/150				
IPTRR125/150.1000.R	1000	125/150				

NOTE: Other sizes are available upon request

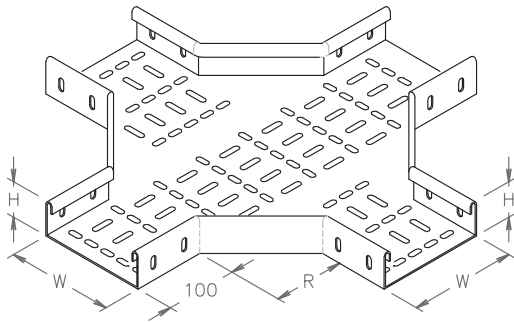
•All units in mm

PT - PERFORATED TRAY
T - TEE
R - RETURNED (EDGE / FLANGE)
U - 'U' TYPE
R - RADIUS

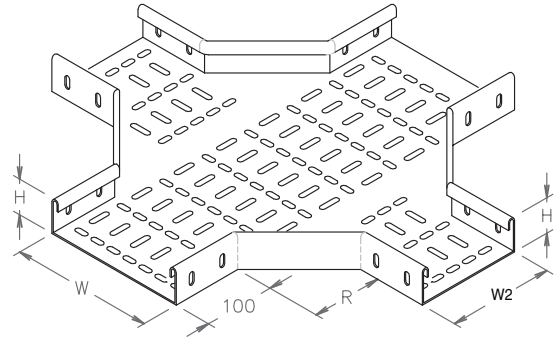
EXAMPLE
IPTRR50-100R
IME-PERFORATED TRAY TEE
RETURNED (EDGE / FLANGE)
50/100 (H) X 150 (W) WITH RADIUS

MATERIALS
1 Electro-galvanized steel to BS 1449 Part 1 : 1983
2 Pre-Galvanized Steel
3 Stainless Steel AISI 304, 316 or 316L
4 Hot / Cold-Rolled Steel
5 Aluminium AA1100

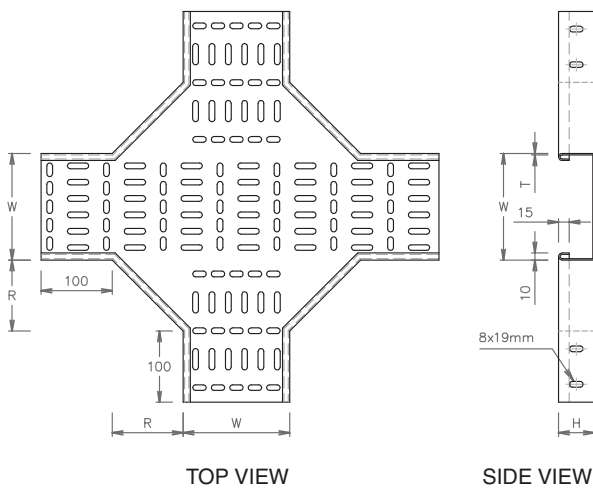
HORIZONTAL EQUAL CROSS



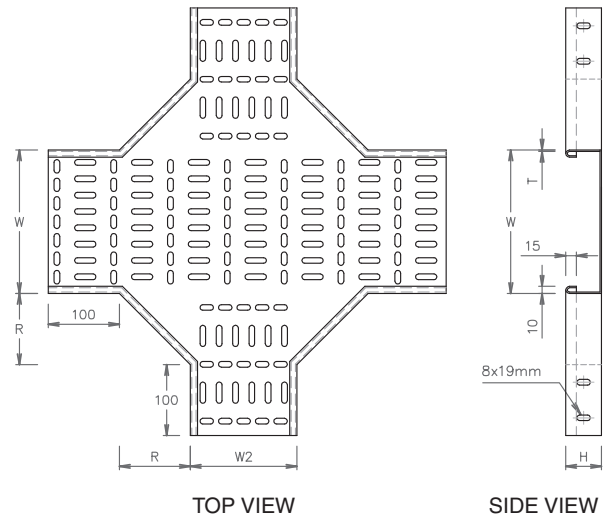
HORIZONTAL UNEQUAL CROSS



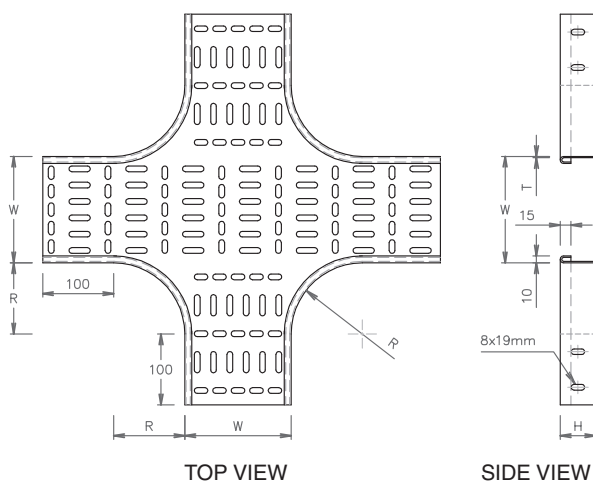
EQUAL CROSS RETURNED FLANGE WITH STRAIGHT RADIUS



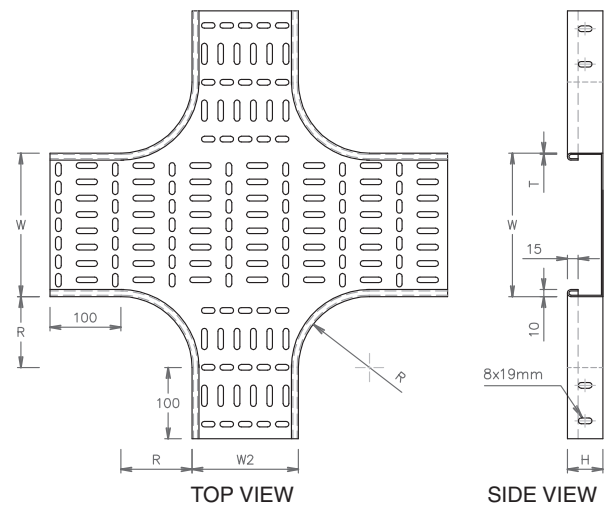
UNEQUAL CROSS RETURNED FLANGE WITH STRAIGHT RADIUS



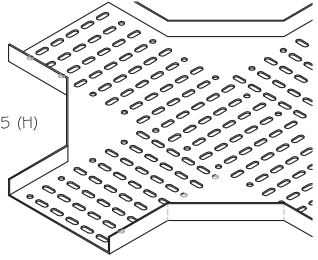
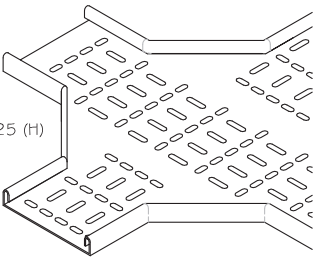
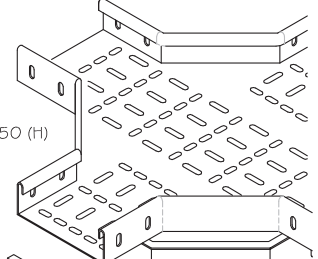
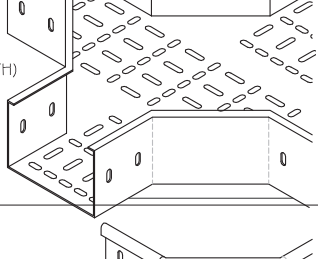
EQUAL CROSS RETURNED FLANGE WITH CURVE RADIUS



UNEQUAL CROSS RETURNED FLANGE WITH CURVE RADIUS



CROSS CABLE TRAY STANDARD LIST

ITEM NO	SIZE				FINISHING	REMARKS
	WIDTH (W)	HEIGHT (H)	RADIUS (R)	THICKNESS (T)		
iPTXU15.50	50	15	50	1.0	Hot-Dipped Galvanizing (BS:EN:ISO1461 (1999), BS 729) Epoxy Powder Coated HDG + Epoxy Powder Coated Stainless Steel 304 Stainless Steel 316 Aluminium AA 1100 & Others	
iPTXU15.75	75	15				
iPTXU15.100	100	15				
iiPTXU15.150	150	15				
iPTXU15.200	200	15				
iPTXU15.250	250	15				
iPTXU15.300	300	15				
iPTXU15.450	450	15				
iPTXU15.500	500	15				
iPTXU15.600	600	15				
iPTXR25.50.R	50	25	50	1.0	Hot-Dipped Galvanizing (BS:EN:ISO1461 (1999), BS 729) Epoxy Powder Coated HDG + Epoxy Powder Coated Stainless Steel 304 Stainless Steel 316 Aluminium AA 1100 & Others	
iPTXR25.75.R	75	25				
iPTXR25.100.R	100	25				
iPTXR25.150.R	150	25				
iPTXR25.200.R	200	25				
iPTXR25.250.R	250	25				
iPTXR25.300.R	300	25				
iPTXR25.450.R	450	25				
iPTXR25.500.R	500	25				
iPTXR25.600.R	600	25				
iPTXR25.750.R	750	25				
iPTXR25.800.R	800	25				
iPTXR25.900.R	900	25				
iPTXR50.50.R	50	50	100	1.0	Hot-Dipped Galvanizing (BS:EN:ISO1461 (1999), BS 729) Epoxy Powder Coated HDG + Epoxy Powder Coated Stainless Steel 304 Stainless Steel 316 Aluminium AA 1100 & Others	
iPTXR50.75.R	75	50				
iPTXR50/100.100.R	100	50/100				
iPTXR50/100.150.R	150	50/100				
iPTXR50/100.200.R	200	50/100				
iPTXR50/100.250.R	250	50/100				
iPTXR50/100.300.R	300	50/100				
iPTXR50/100.450.R	450	50/100				
iPTXR50/100.500.R	500	50/100				
iPTXR50/100.600.R	600	50/100				
iPTXR50/100.750.R	750	50/100				
iPTXR50/100.800.R	800	50/100				
iPTXR50/100.900.R	900	50/100				
iPTXR50/100.1000.R	1000	50/100				
iPTXR125.125.R	125	125	200	1.5	Hot-Dipped Galvanizing (BS:EN:ISO1461 (1999), BS 729) Epoxy Powder Coated HDG + Epoxy Powder Coated Stainless Steel 304 Stainless Steel 316 Aluminium AA 1100 & Others	
iPTXR125/150.150.R	150	125/150				
iiPTXR125/150.200.R	200	125/150				
iPTXR125/150.250.R	250	125/150				
iPTXR125/150.300.R	300	125/150				
iPTXR125/150.450.R	450	125/150				
iPTXR125/150.500.R	500	125/150				
iPTXR125/150.600.R	600	125/150				
iPTXR125/150.750.R	750	125/150				
iPTXR125/150.800.R	800	125/150				
iPTXR125/150.900.R	900	125/150				
iPTXR125/150.1000.R	1000	125/150				

NOTE: Other sizes are available upon request

•All units in mm

PT- PERFORATED TRAY
X - CROSS
R - RETURNED (EDGE \ FLANGE)
U - 'U' TYPE
R - RADIUS

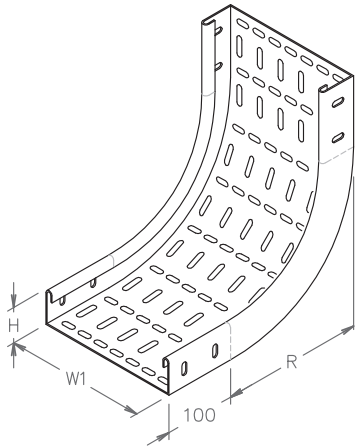
EXAMPLE
iPTXR50/100-150R
IME-PERFORATED TRAY CROSS
RETURNED (EDGE \ FLANGE)
50/100 (H) X 150 (W) WITH RADIUS

MATERIALS

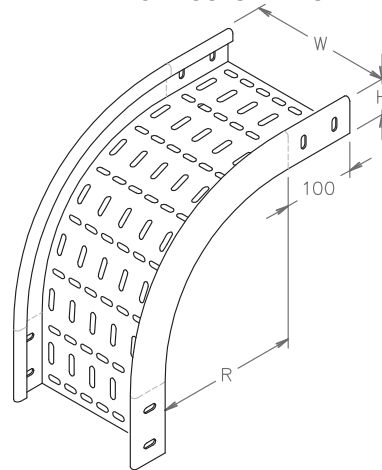
- 1 Electro-galvanized steel to BS 1449 Part 1 : 1983
- 2 Pre-Galvanized Steel
- 3 Stainless Steel AISI 304, 316 or 316L
- 4 Hot / Cold-Rolled Steel
- 5 Aluminium AA1100

90 DEG. VERTICAL RISER

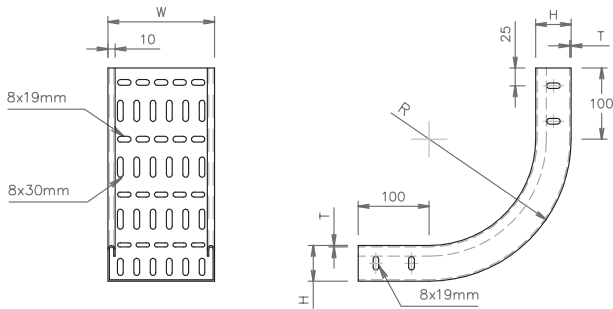
VERTICAL INSIDE RISER



VERTICAL OUTSIDE RISER



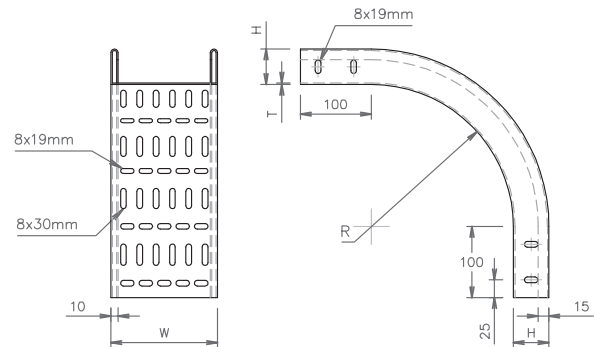
**VERTICAL INSIDE RISER
RETURNED FLANGE WITH CURVE RADIUS**



FRONT VIEW

SIDE VIEW

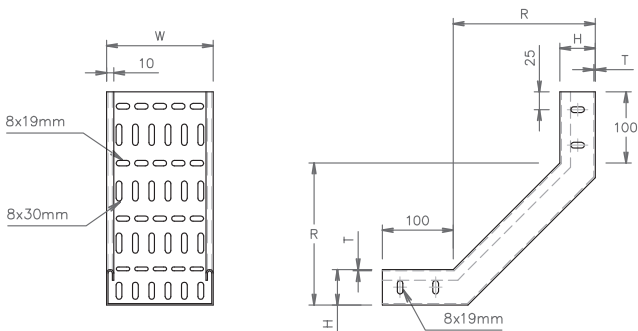
**VERTICAL OUTSIDE RISER
RETURNED FLANGE WITH CURVE RADIUS**



FRONT VIEW

SIDE VIEW

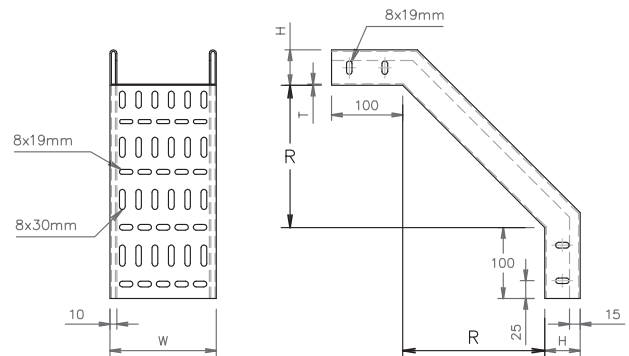
**VERTICAL INSIDE RISER
RETURNED FLANGE WITH STRAIGHT RADIUS**



FRONT VIEW

SIDE VIEW

**VERTICAL OUTSIDE RISER
RETURNED FLANGE WITH STRAIGHT RADIUS**

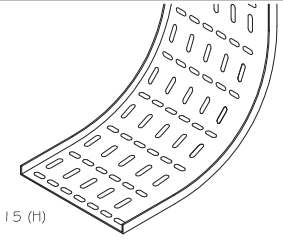
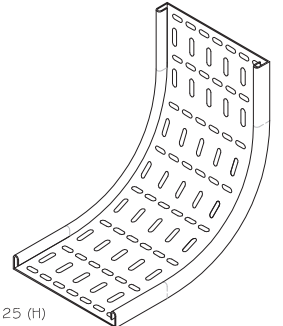
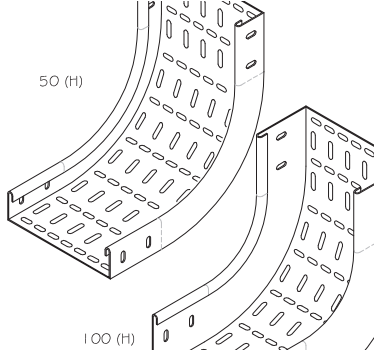
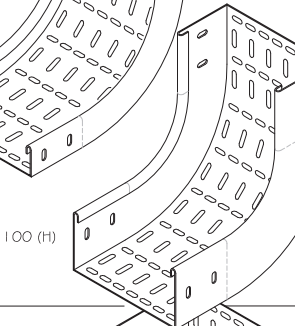
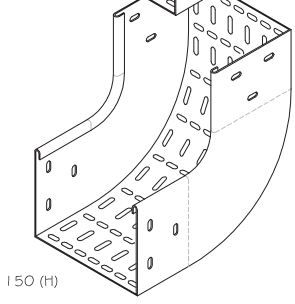


FRONT VIEW

SIDE VIEW

NOTE: Other sizes are available upon request

RISER CABLE TRAY STANDARD LIST

ITEM NO	SIZE				FINISHING	REMARKS				
	WIDTH (W)	HEIGHT (H)	RADIUS (R)	THICKNESS (T)						
IPTRU15.50	50	15	50	1.0	Hot-Dipped Galvanizing (BS:EN:ISO1461 (1999), BS 729) Epoxy Powder Coated HDG + Epoxy Powder Coated Stainless Steel 304 Stainless Steel 316 Aluminium AA 1100 & Others	 15 (H)				
IPTRU15.75	75	15								
IPTRU15.100	100	15								
IPTRU15.150	150	15								
IPTRU15.200	200	15								
IPTRU15.250	250	15								
IPTRU15.300	300	15								
IPTRU15.450	450	15								
IPTRU15.500	500	15								
IPTRU15.600	600	15	100	1.2	Hot-Dipped Galvanizing (BS:EN:ISO1461 (1999), BS 729) Epoxy Powder Coated HDG + Epoxy Powder Coated Stainless Steel 304 Stainless Steel 316 Aluminium AA 1100 & Others	 25 (H)				
IPTRR25.50.R	50	25								
IPTRR25.75.R	75	25								
IPTRR25.100.R	100	25								
IPTRR25.150.R	150	25								
IPTRR25.200.R	200	25								
IPTRR25.250.R	250	25								
IPTRR25.300.R	300	25								
IPTRR25.450.R	450	25								
IPTRR25.500.R	500	25	200	1.5	Hot-Dipped Galvanizing (BS:EN:ISO1461 (1999), BS 729) Epoxy Powder Coated HDG + Epoxy Powder Coated Stainless Steel 304 Stainless Steel 316 Aluminium AA 1100 & Others	 50 (H)				
IPTRR25.600.R	600	25								
IPTRR25.750.R	750	25								
IPTRR25.800.R	800	25								
IPTRR25.900.R	900	25								
IPTRR25.900.R	900	25								
IPTRR50.50.R	50	50								
IPTRR50.75.R	75	50								
IPTRR50/100.100.R	100	50/100					100	1.0	Hot-Dipped Galvanizing (BS:EN:ISO1461 (1999), BS 729) Epoxy Powder Coated HDG + Epoxy Powder Coated Stainless Steel 304 Stainless Steel 316 Aluminium AA 1100 & Others	 100 (H)
IPTRR50/100.150.R	150	50/100								
IPTRR50/100.200.R	200	50/100								
IPTRR50/100.250.R	250	50/100								
IPTRR50/100.300.R	300	50/100								
IPTRR50/100.450.R	450	50/100								
IPTRR50/100.500.R	500	50/100								
IPTRR50/100.600.R	600	50/100								
IPTRR50/100.750.R	750	50/100								
IPTRR50/100.800.R	800	50/100								
IPTRR50/100.900.R	900	50/100								
IPTRR50/100.1000.R	1000	50/100	200	1.5	Hot-Dipped Galvanizing (BS:EN:ISO1461 (1999), BS 729) Epoxy Powder Coated HDG + Epoxy Powder Coated Stainless Steel 304 Stainless Steel 316 Aluminium AA 1100 & Others	 150 (H)				
IPTRR125.125.R	125	125								
IPTRR125/150.150.R	150	125/150								
IPTRR125/150.200.R	200	125/150								
IPTRR125/150.250.R	250	125/150								
IPTRR125/150.300.R	300	125/150								
IPTRR125/150.450.R	450	125/150								
IPTRR125/150.500.R	500	125/150								
IPTRR125/150.600.R	600	125/150								
IPTRR125/150.750.R	750	125/150								
IPTRR125/150.800.R	800	125/150								
IPTRR125/150.900.R	900	125/150								
IPTRR125/150.1000.R	1000	125/150								

NOTE: Other sizes are available upon request

•All units in mm

PT - PERFORATED TRAY
R - RISER (INSIDE / OUTSIDE)
R - RETURNED (EDGE / FLANGE)
U - 'U' TYPE
R - RADIUS

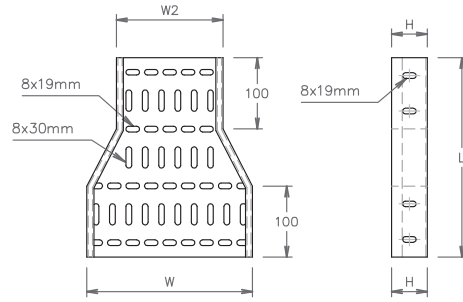
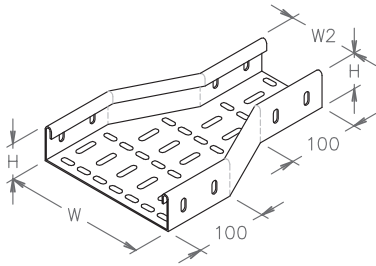
EXAMPLE
IPTRR50/100-150R
IME-PERFORATED TRAY RISER (INSIDE / OUTSIDE)
RETURNED (EDGE / FLANGE)
50/100 (H) X 150 (W) WITH RADIUS

MATERIALS

- 1 Electro-galvanized steel to BS 1449 Part 1 : 1983
- 2 Pre-Galvanized Steel
- 3 Stainless Steel AISI 304, 316 or 316L
- 4 Hot / Cold-Rolled Steel
- 5 Aluminium AA1100

OFFSET REDUCER

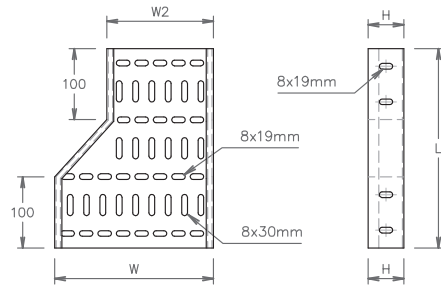
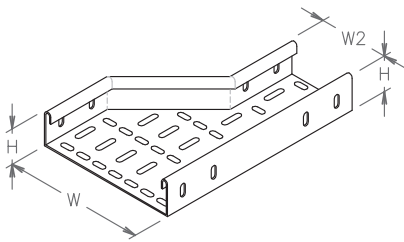
STRAIGHT REDUCER



TOP VIEW

SIDE VIEW

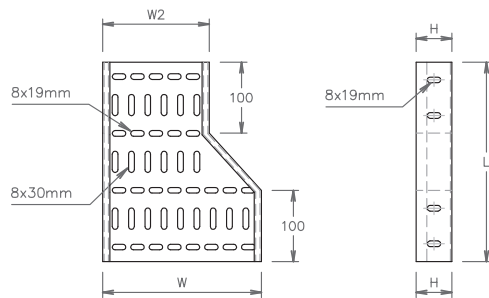
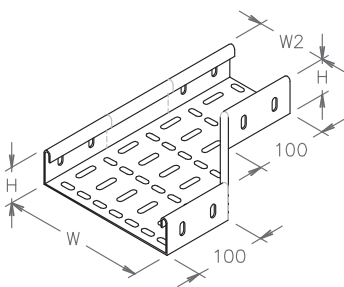
RIGHT-HAND REDUCER



TOP VIEW

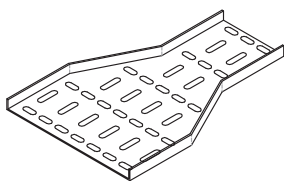
SIDE VIEW

LEFT-HAND REDUCER

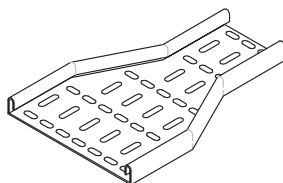


TOP VIEW

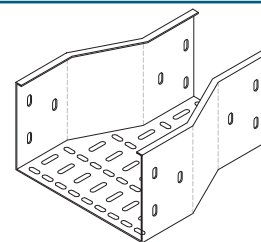
SIDE VIEW



'U' TYPE

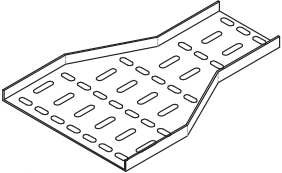
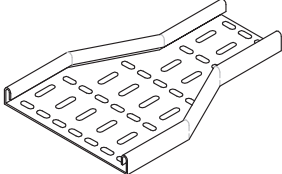
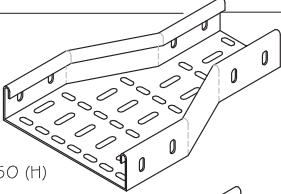
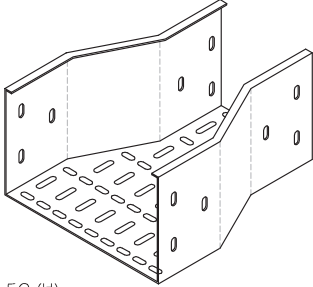


RETURNED FLANGE TYPE



EDGE TYPE

REDUCER CABLE TRAY STANDARD LIST

ITEM NO	SIZE				FINISHING	REMARKS
	WIDTH (W)	HEIGHT (H)	WIDTH (W2)	THICKNESS (T)		
iPTYU15.150/50	150	15	50	1.0 1.2 1.5 2.0	Hot-Dipped Galvanizing (BS:EN:ISO1461 (1999), BS 729) Epoxy Powder Coated HDG + Epoxy Powder Coated Stainless Steel 304 Stainless Steel 316 Aluminium AA 1100 & Others	 15 (H)
iPTYU15.150/75	150	15	75			
iPTYU15.300/100	100	15	100			
iPTYU15.300/150	300	15	150			
iPTYU15.450/100	450	15	100			
iPTYU15.450/200	450	15	200			
iPTYU15.450/300	450	15	300			
iPTYU15.600/200	600	15	200			
iPTYU15.600/300	600	15	300			
iPTYU15.600/400	600	15	400			
iPTYR25.150/50	150	25	50	1.0 1.2 1.5 2.0	Hot-Dipped Galvanizing (BS:EN:ISO1461 (1999), BS 729) Epoxy Powder Coated HDG + Epoxy Powder Coated Stainless Steel 304 Stainless Steel 316 Aluminium AA 1100 & Others	 25 (H)
iPTYR25.150/75	150	25	75			
iPTYR25.300/100	300	25	100			
iPTYR25.300/150	300	25	150			
iPTYR25.450/100	450	25	100			
iPTYR25.450/200	450	25	200			
iPTYR25.450/300	450	25	300			
iPTYR25.600/200	600	25	200			
iPTYR25.600/300	600	25	300			
iPTYR25.600/400	600	25	400			
iPTYR25.750/200	750	25	200			
iPTYR25.750/300	750	25	300			
iPTYR25.750/450	750	25	450			
iPTYR50/100.150/75	150	50/100	75	1.0 1.2 1.5 2.0	Hot-Dipped Galvanizing (BS:EN:ISO1461 (1999), BS 729) Epoxy Powder Coated HDG + Epoxy Powder Coated Stainless Steel 304 Stainless Steel 316 Aluminium AA 1100 & Others	 50 (H)
iPTYR50/100.300/100	300	50/100	100			
iPTYR50/100.300/150	300	50/100	150			
iPTYR50/100.450/200	450	50/100	200			
iPTYR50/100.450/300	450	50/100	300			
iPTYR50/100.600/200	600	50/100	200			
iPTYR50/100.600/400	600	50/100	400			
iPTYR50/100.750/200	750	50/100	200			
iPTYR50/100.750/300	750	50/100	300			
iPTYR50/100.750/450	750	50/100	450			
iPTYR50/100.800/300	800	50/100	300			
iPTYR50/100.800/500	800	50/100	500			
iPTYR50/100.900/400	900	50/100	400			
iPTYR50/100.900/600F	900	50/100	600			
iPTYR125/150.300/100	150	125/150	200	1.5 2.0 2.5 3.0	Hot-Dipped Galvanizing (BS:EN:ISO1461 (1999), BS 729) Epoxy Powder Coated HDG + Epoxy Powder Coated Stainless Steel 304 Stainless Steel 316 Aluminium AA 1100 & Others	 150 (H)
iPTYR125/150.300/150	300	125/150	300			
iPTYR125/150.450/200	300	125/150	200			
iPTYR125/150.450/300	450	125/150	300			
iPTYR125/150.600/200	450	125/150	400			
iPTYR125/150.600/300	600	125/150	200			
iPTYR125/150.600/400	600	125/150	300			
iPTYR125/150.750/200	750	125/150	450			
iPTYR125/150.750/300	750	125/150	300			
iPTYR125/150.750/450	750	125/150	450			
iPTYR125/150.800/300	800	125/150	500			
iPTYR125/150.800/500	800	125/150	300			
iPTYR125/150.900/400	900	125/150	450			
iPTYR125/150.900/600	900	125/150	600			

NOTE: Other sizes are available upon request

•All units in mm

EXAMPLE

iPTYR50/100-300/100
 IME-PERFORATED TRAY REDUCER
 (STRAIGHT/LEFT/RIGHT)
 RETURNED (EDGE / FLANGE)
 50 / 100 (H) X 300 (W) /100 (W2)

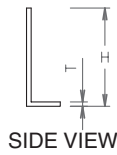
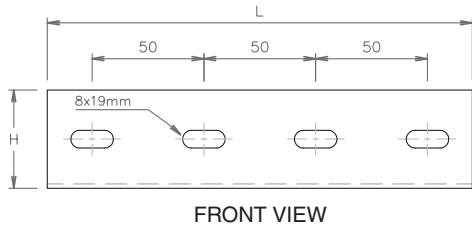
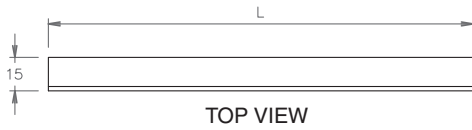
MATERIALS

- 1 Electro-galvanized steel to BS 1449 Part 1 : 1983
- 2 Pre-Galvanized Steel
- 3 Stainless Steel AISI 304, 316 or 316L
- 4 Hot / Cold-Rolled Steel
- 5 Aluminium AA1100

- PT- PERFORATED TRAY
 Y - REDUCER (STRAIGHT/LEFT/RIGHT)
 R - RETURNED (EDGE / FLANGE)
 U - 'U' TYPE

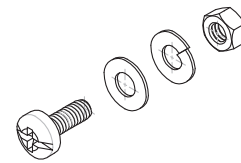
CABLE TRAY & ACCESSORIES

OTHER FITTING LISTS



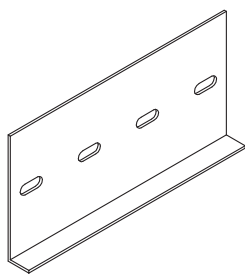
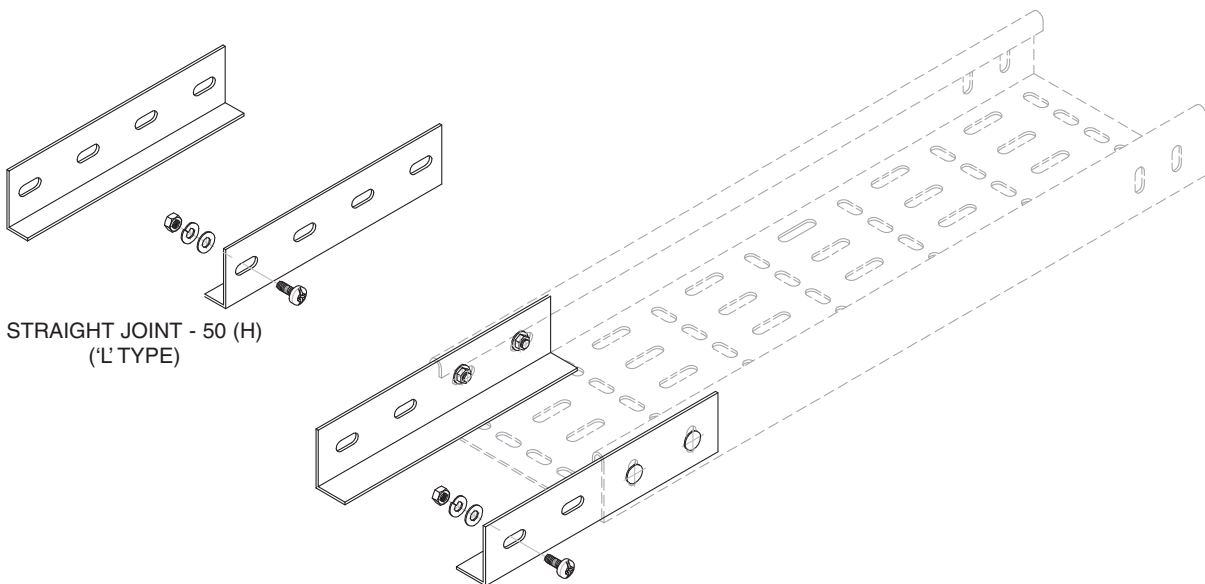
STRAIGHT JOINT				
ITEM	HEIGHT TRAY	HEIGHT (H)	LENGTH (L)	THICKNESS (T)
TSJ50	50	44	190	1.5 / 2.0
TSJ75	75	70	190	1.5 / 2.0
TSJ100	100	94	190	1.5 / 2.0
TSJ125	125	120	190	1.5 / 2.0
TSJ150	150	144	190	1.5 / 3.0

*All units in mm

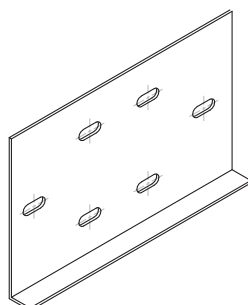


M6 X 20L Pan Head, Nut Flat & Spring Washer

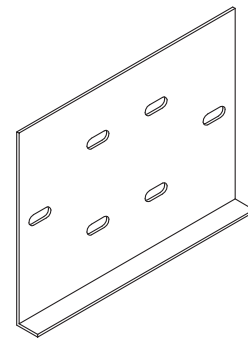
NOTE: Other sizes are available upon request



STRAIGHT JOINT FOR 100 (H)

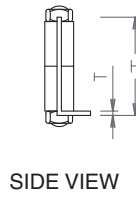
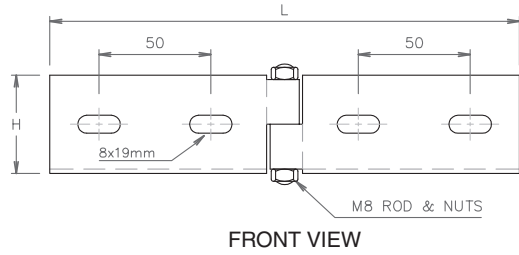
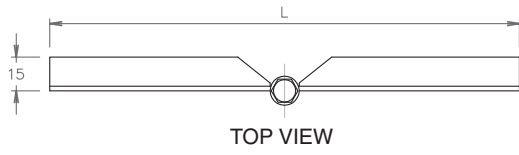


STRAIGHT JOINT FOR 125 (H)



STRAIGHT JOINT FOR 150 (H)

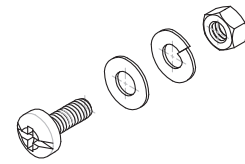
NOTE: Other sizes are available upon request



HORIZONTAL JOINT

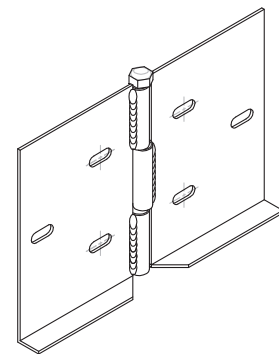
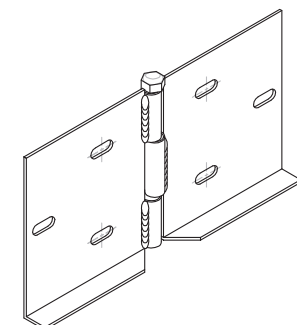
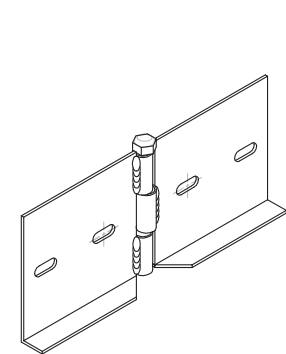
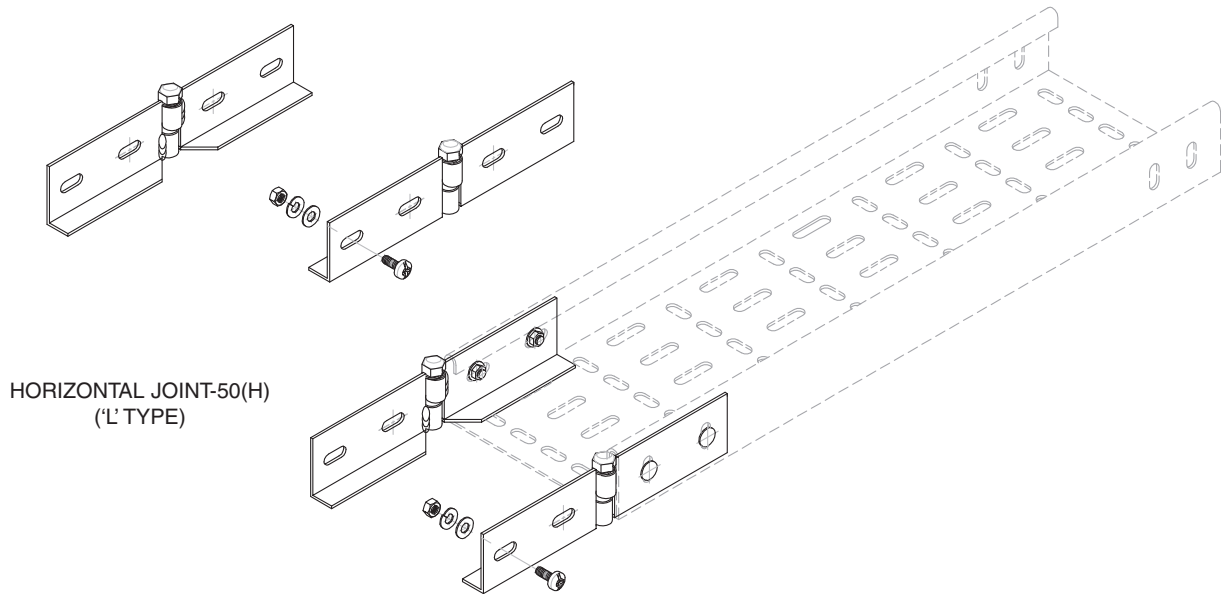
ITEM	HEIGHT TRAY	HEIGHT (H)	LENGTH (L)	THICKNESS (T)
THJ50	50	44	210	1.5 - 2.0
THJ75	75	70	210	1.5 - 2.0
THJ100	100	94	210	1.5 - 2.0
THJ125	125	120	210	1.5 - 2.0
THJ150	150	144	210	1.5 - 3.0

*All units in mm



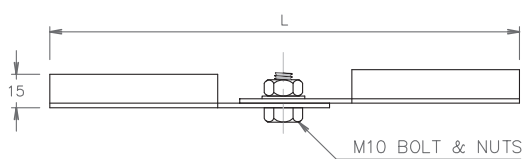
M6 x 20L Pan Head, Nut Flat & Spring Washer

NOTE: Other sizes are available upon request

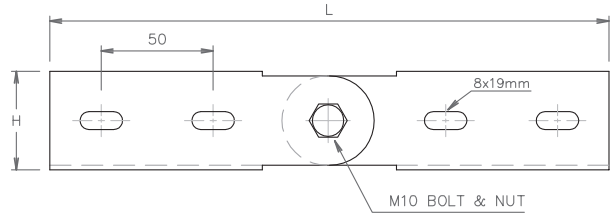


NOTE: Other sizes are available upon request

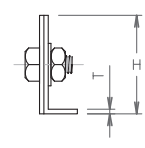
CABLE TRAY & ACCESSORIES



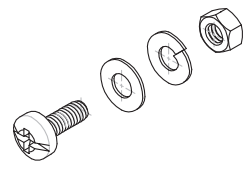
TOP VIEW



FRONT VIEW



SIDE VIEW

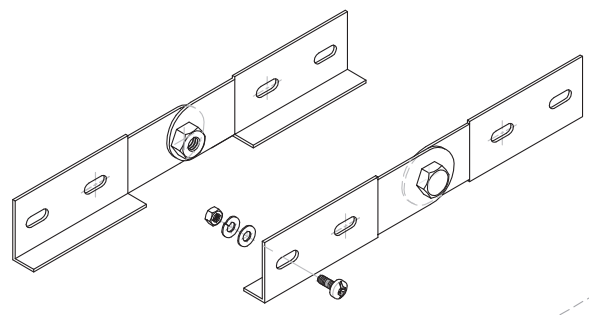


M6 x 20L Pan Head, Nut Flat & Spring Washers

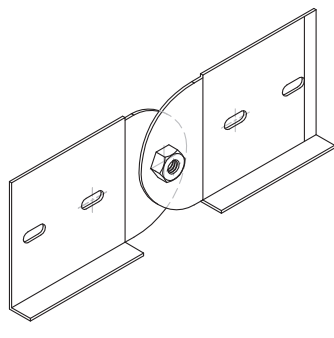
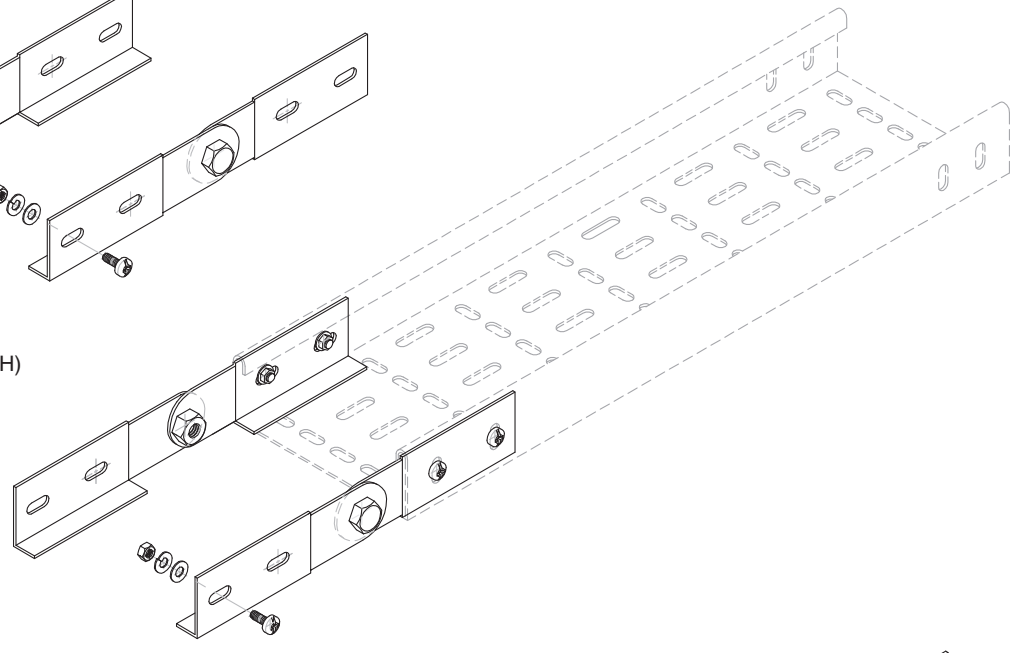
VERTICAL JOINT				
ITEM	HEIGHT TRAY	HEIGHT (H)	LENGTH (L)	THICKNESS (T)
TVJ50	50	44	250	1.5 / 2.0
TVJ75	75	70	250	1.5 / 2.0
TVJ100	100	94	260	1.5 / 2.0
TVJ125	125	120	290	1.5 / 2.0
TVJ150	150	144	300	1.5 / 3.0

*All units in mm

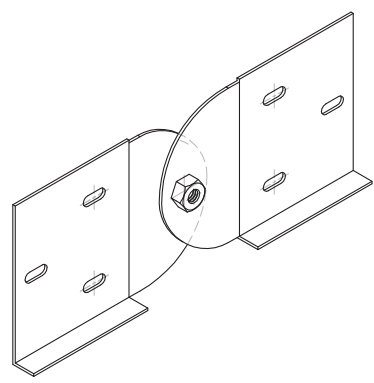
NOTE: Other sizes are available upon request



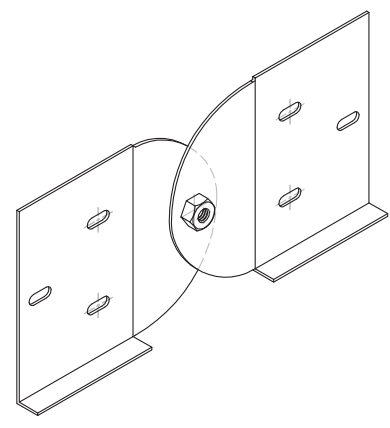
VERTICAL JOINT - 50(H)
(L TYPE)



VERTICAL JOINT - 100(H)



VERTICAL JOINT - 125(H)



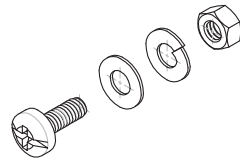
VERTICAL JOINT - 150(H)

NOTE: Other sizes are available upon request

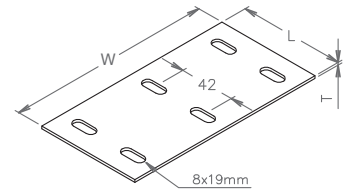
FISH PLATE

ITEM	HEIGHT TRAY	WIDTH (W)	LENGTH (L)	THICKNESS (T)
TFJ50	50	43	80	1.2
TFJ75	75	68	80	1.2
TFJ100	100	93	80	1.2 / 1.5
TFJ150	150	143	80	1.2 / 1.5
TFJ200	200	193	80	1.2 / 1.5

*All units in mm

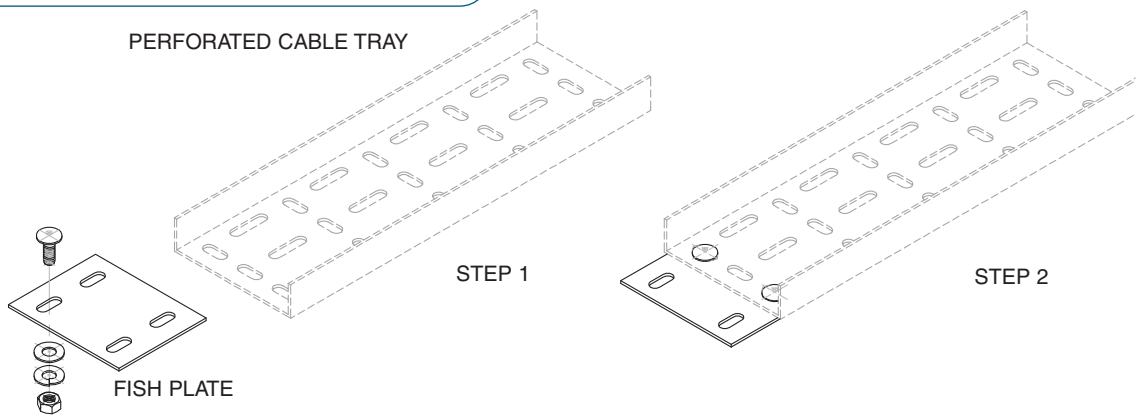


M6 x 20L Pan Head,
Nut Flat & Spring Washers

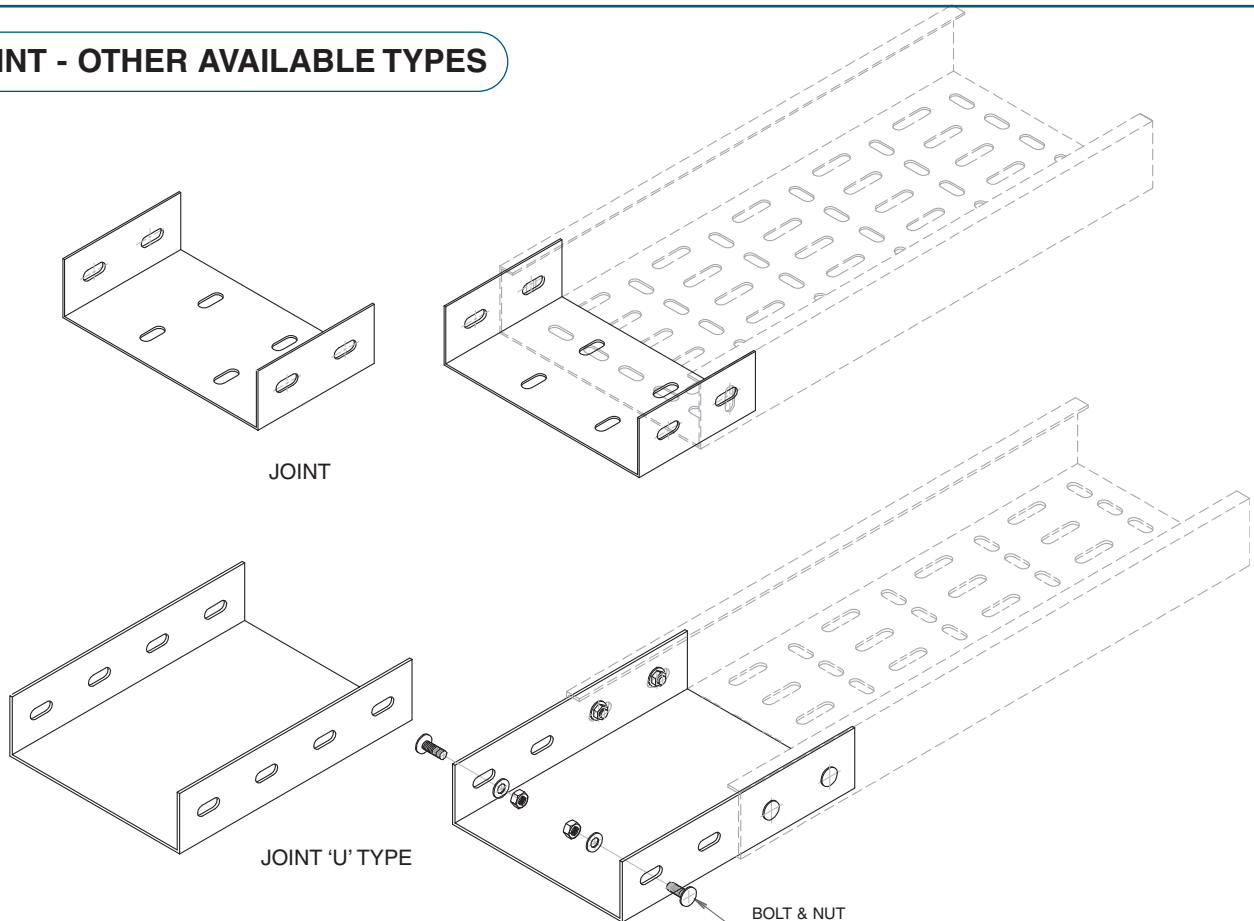


ASSEMBLY JOINT (FISH PLATE JOINT)

PERFORATED CABLE TRAY

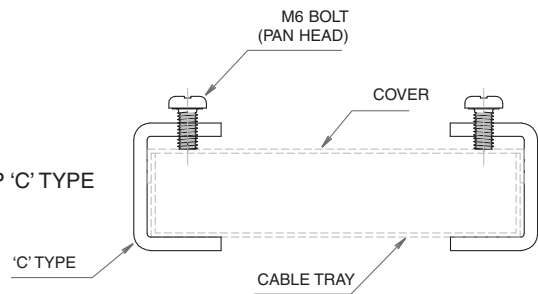
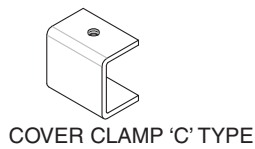
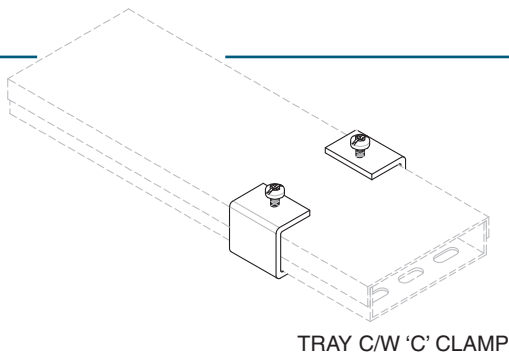
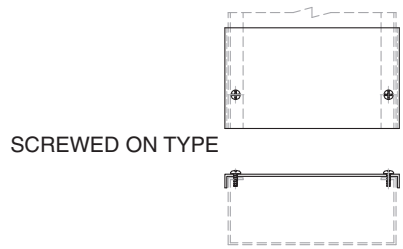
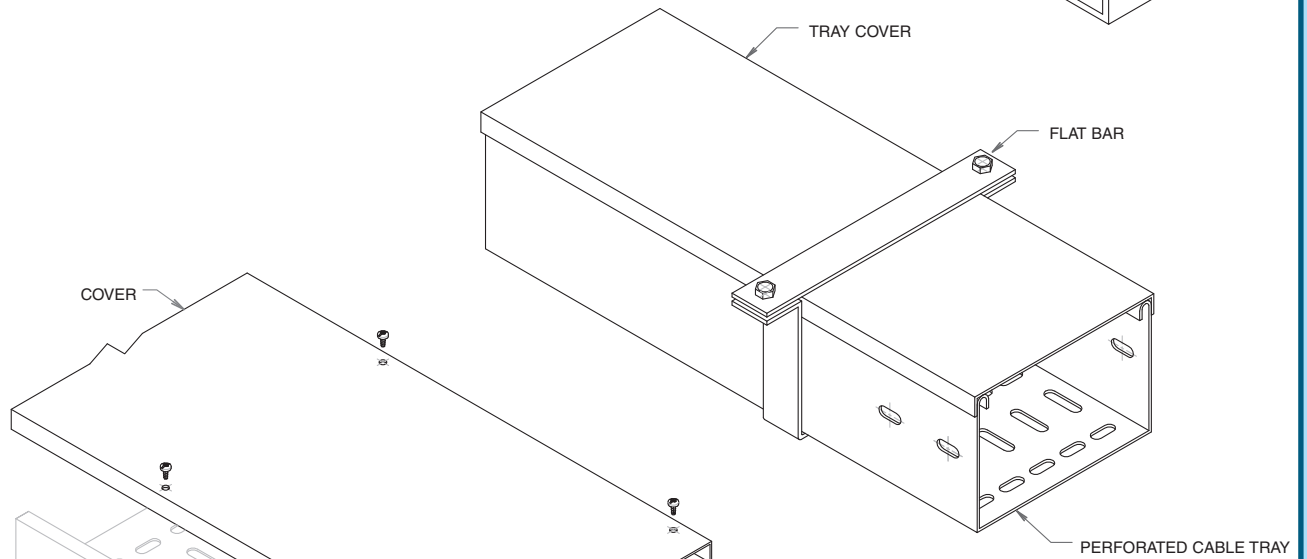
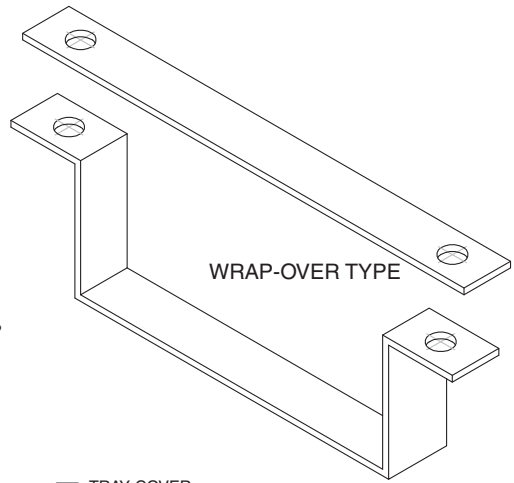
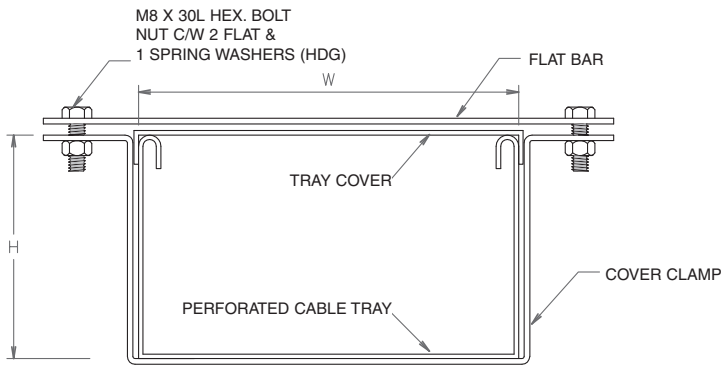


JOINT - OTHER AVAILABLE TYPES



NOTE: Other sizes are available upon request

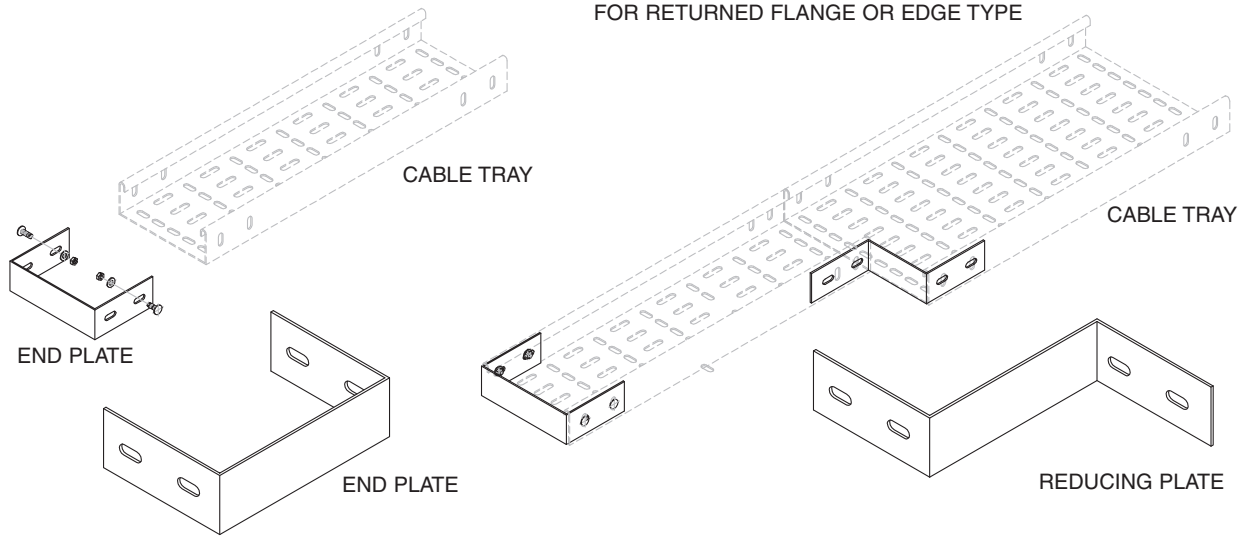
CABLE TRAY & ACCESSORIES



NOTE: HDG PUNCHING PLATE C/W COVER & 6 PCS OF COVER CLIP (C TYPE) WITH 6 PCS OF M6 X 12L PAN HEAD BOLT X 1 PC OF STRAIGHT FISH PLATE X 4 SETS OF SS M8 X 20L CARRIAGE BOLT, 1 FLAT WASHER & 1 SPRING WASHER

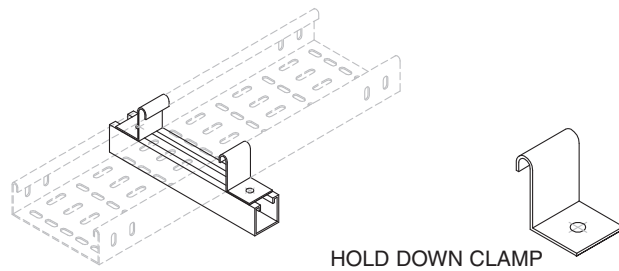
END PLATE AND REDUCING PLATE

FOR RETURNED FLANGE OR EDGE TYPE



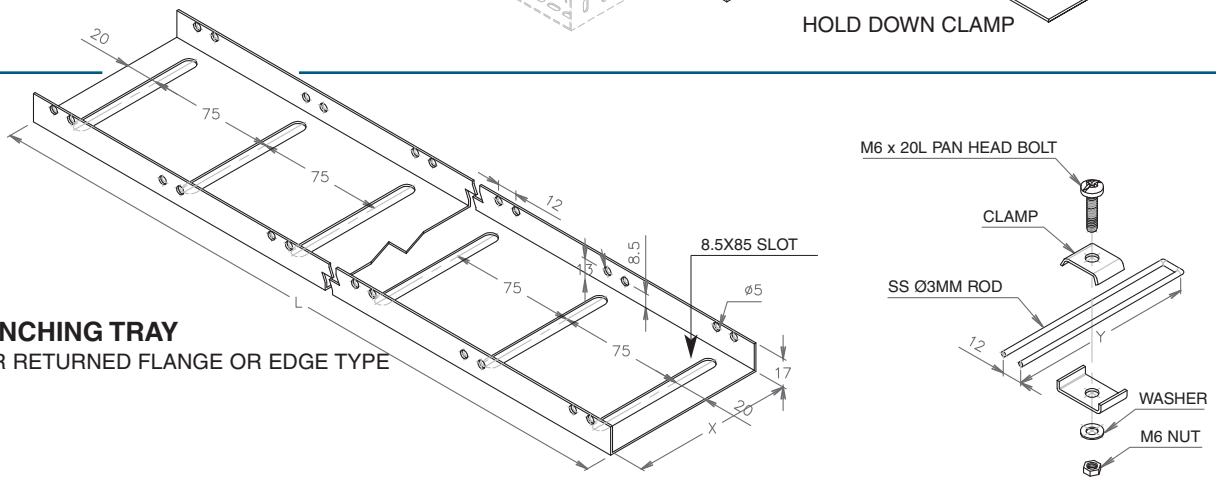
HOLD DOWN CLAMP

FOR RETURNED FLANGE TYPE



PUNCHING TRAY

FOR RETURNED FLANGE OR EDGE TYPE



PUNCHING HOLE PATTERNS FOR CABLE TRAY

